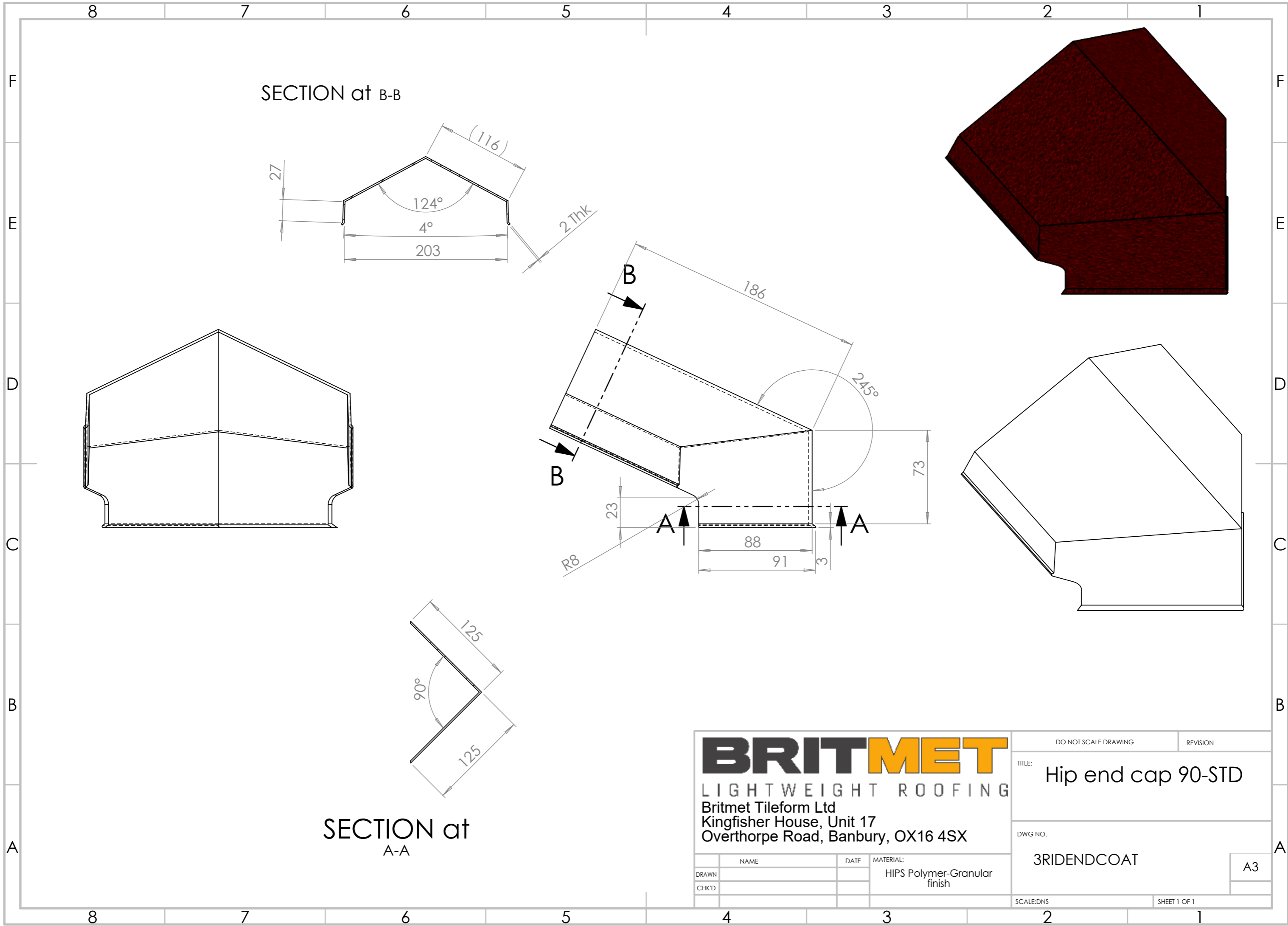
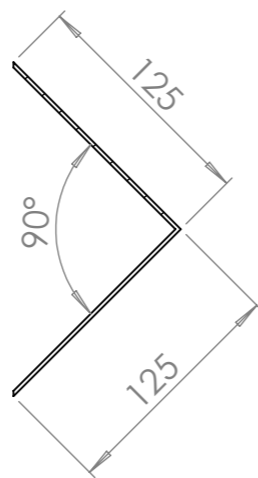
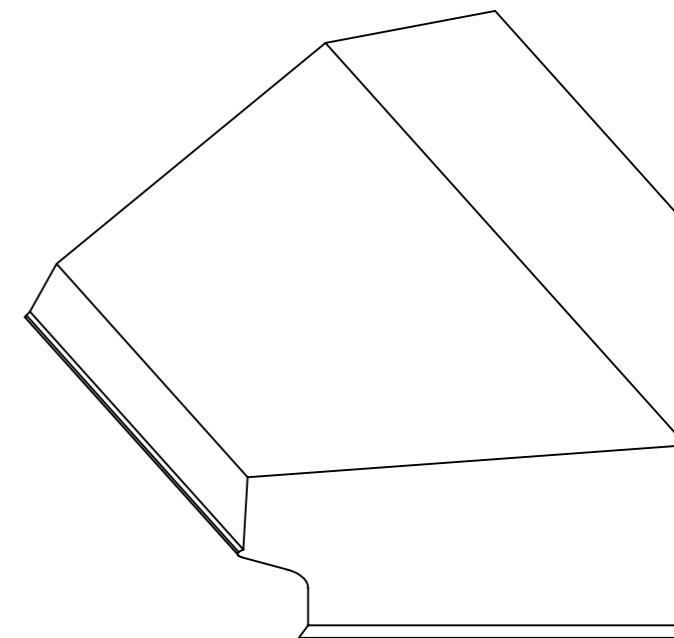
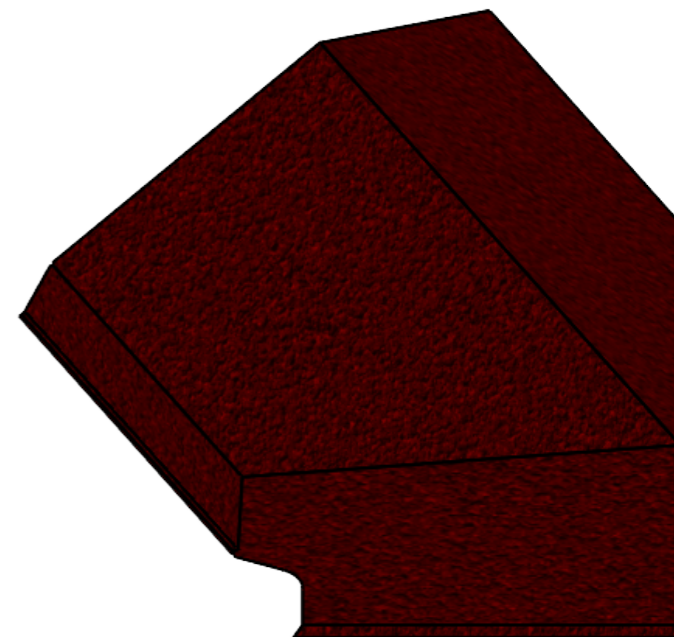
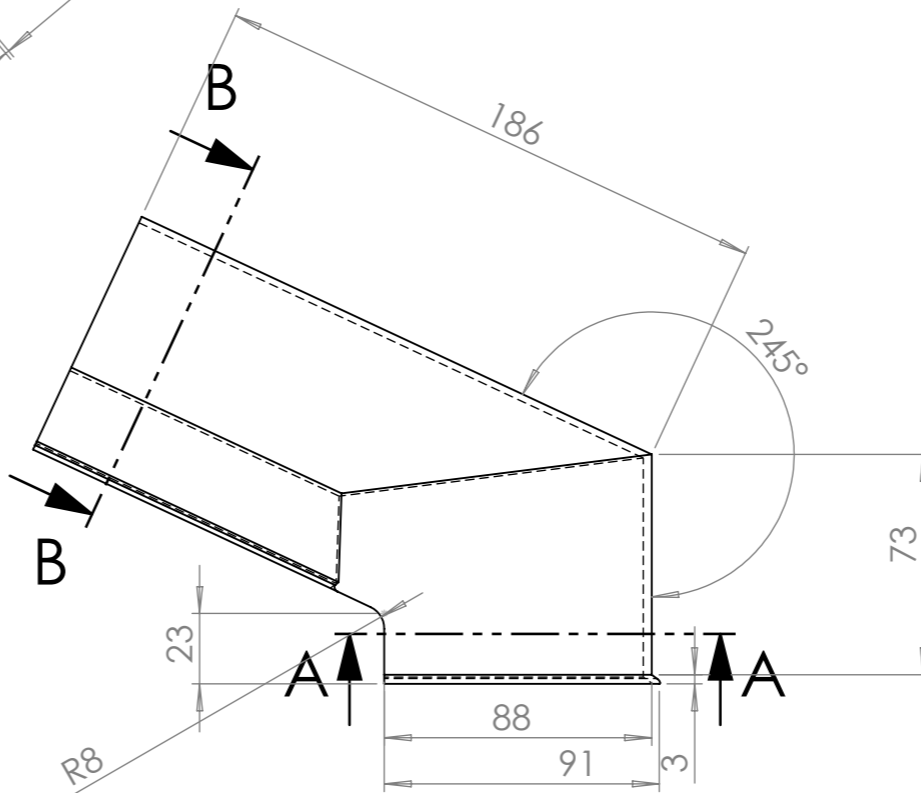
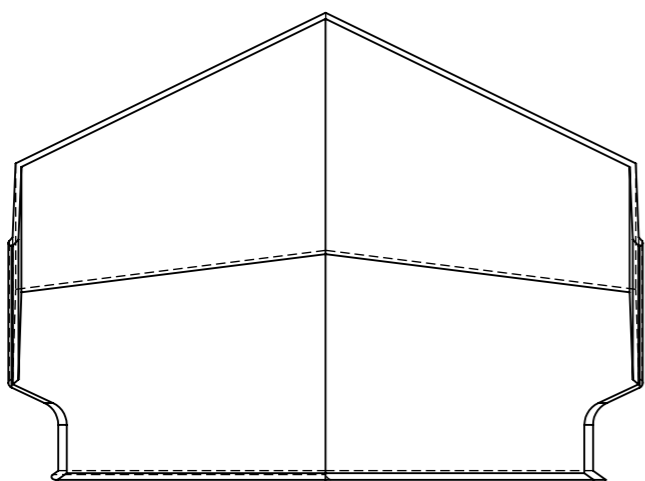
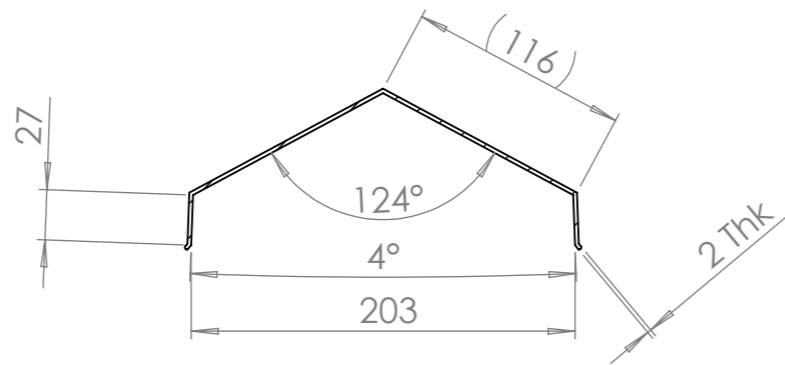


<b>BRITMET</b> LIGHTWEIGHT ROOFING Britmet Tileform Ltd Kingfisher House, Unit 17 Overthorpe Road, Banbury, OX16 4SX			DO NOT SCALE DRAWING	REVISION
			TITLE: 3 way ridge-Std	
DRAWN			DWG NO. 3RIDCOAT	
CHK'D			MATERIAL: HIPS Polymer-Granular finish	
SCALE:DNS			SHEET 1 OF 1	

A3



SECTION at B-B



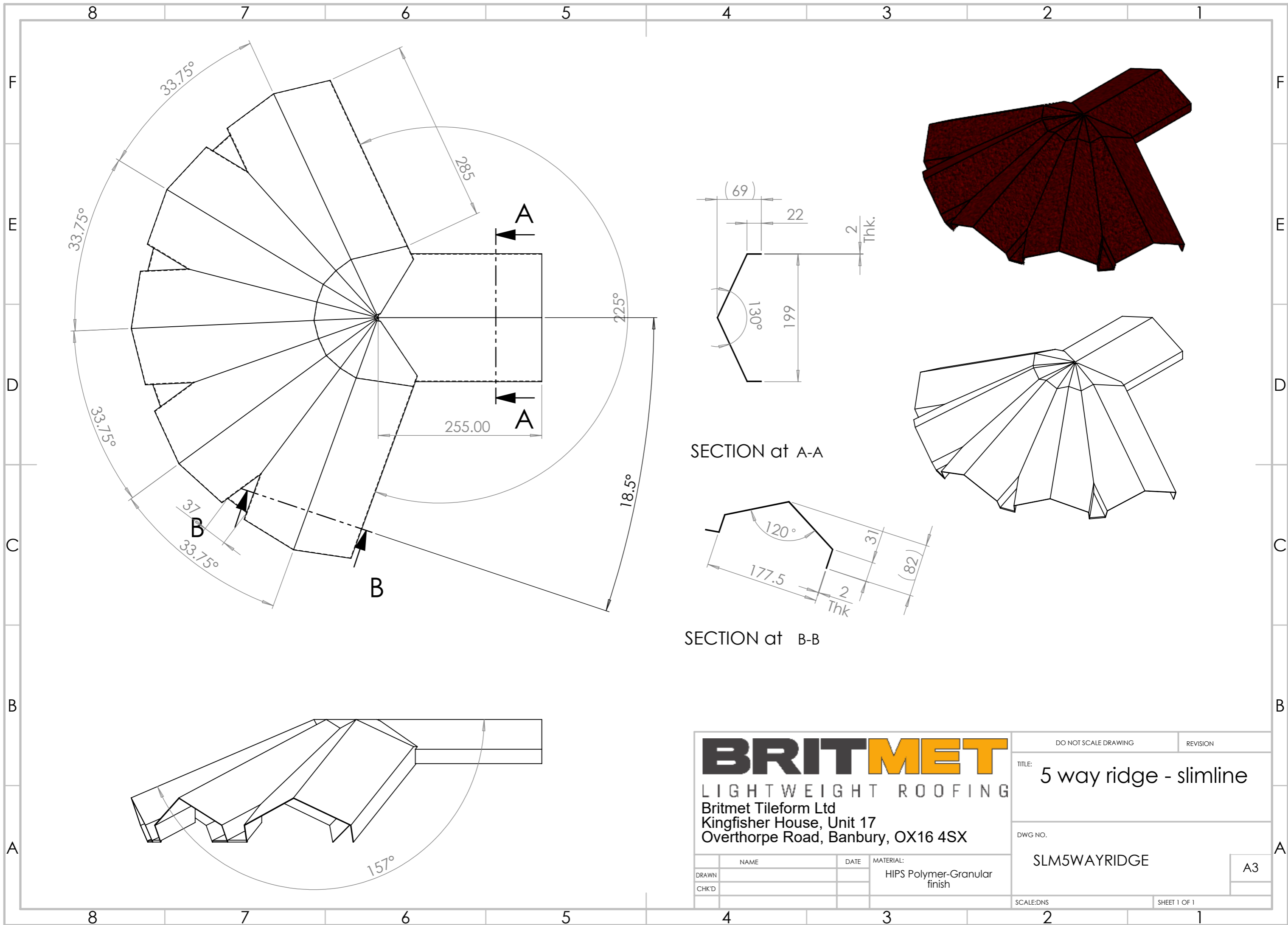
SECTION at A-A

**BRITMET**  
 LIGHTWEIGHT ROOFING  
 Britmet Tileform Ltd  
 Kingfisher House, Unit 17  
 Overthorpe Road, Banbury, OX16 4SX

	NAME	DATE	MATERIAL:
DRAWN			HIPS Polymer-Granular finish
CHK'D			

DO NOT SCALE DRAWING	REVISION
TITLE:	Hip end cap 90-STD
DWG NO.	3RIDENDCOAT
SCALE:DNS	SHEET 1 OF 1

A3



SECTION at A-A

SECTION at B-B

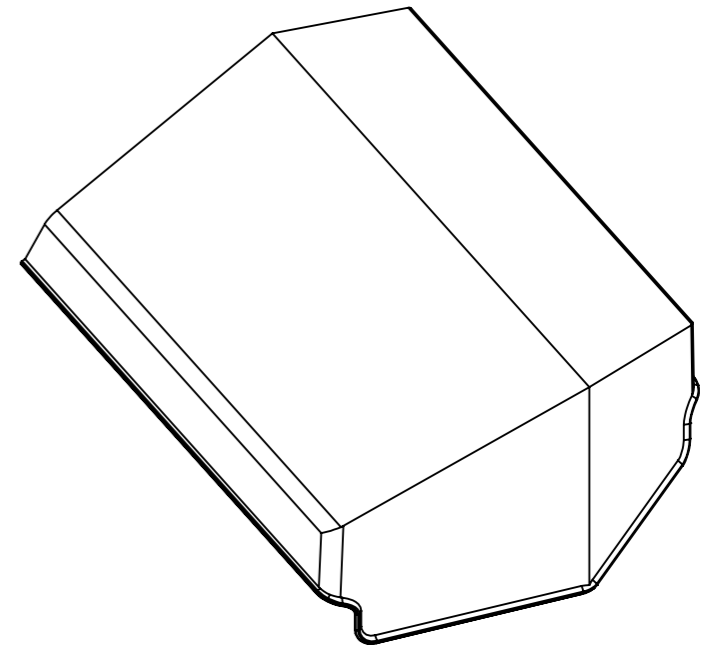
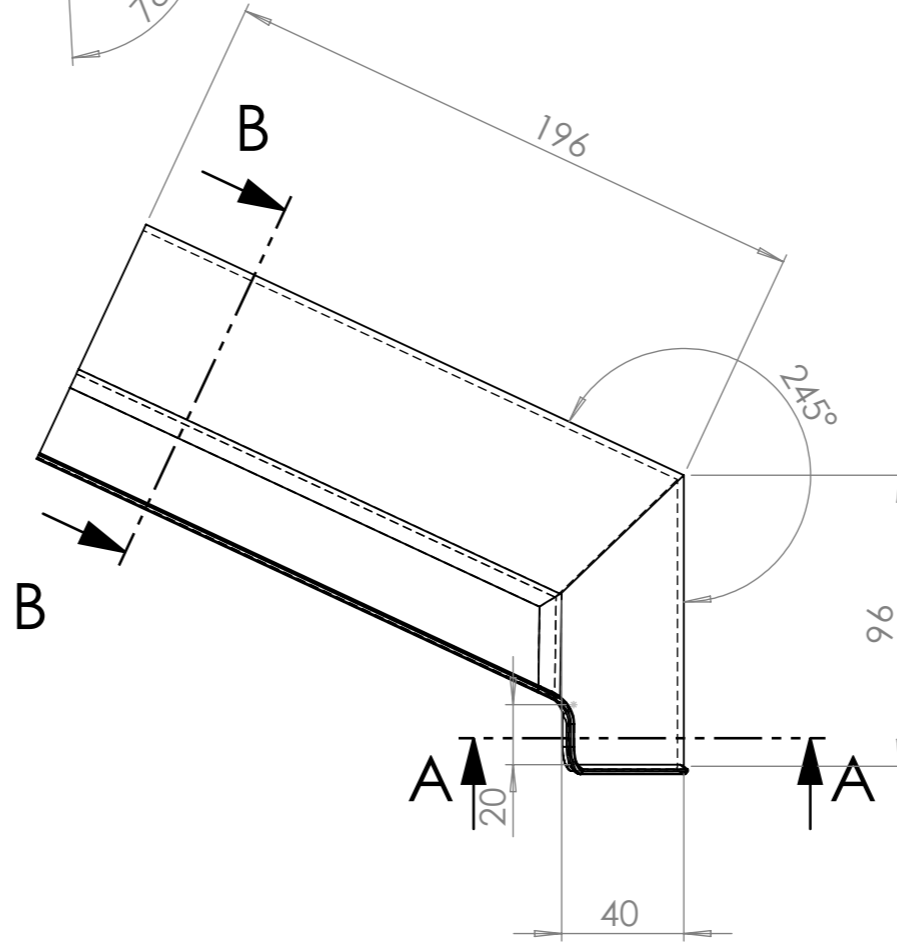
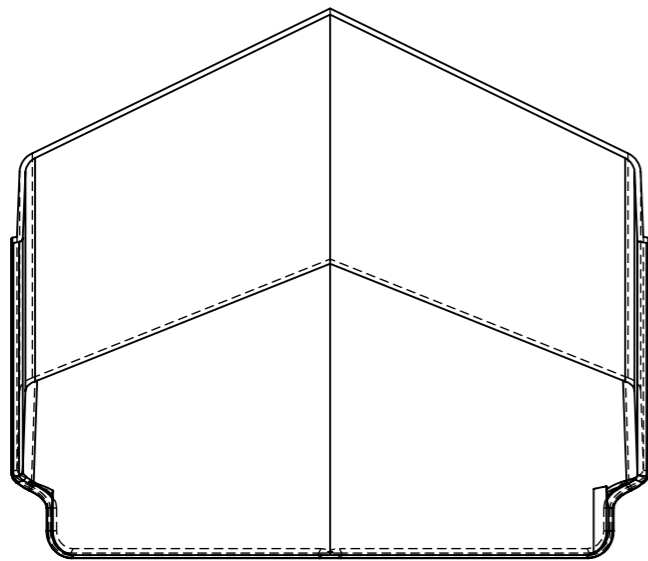
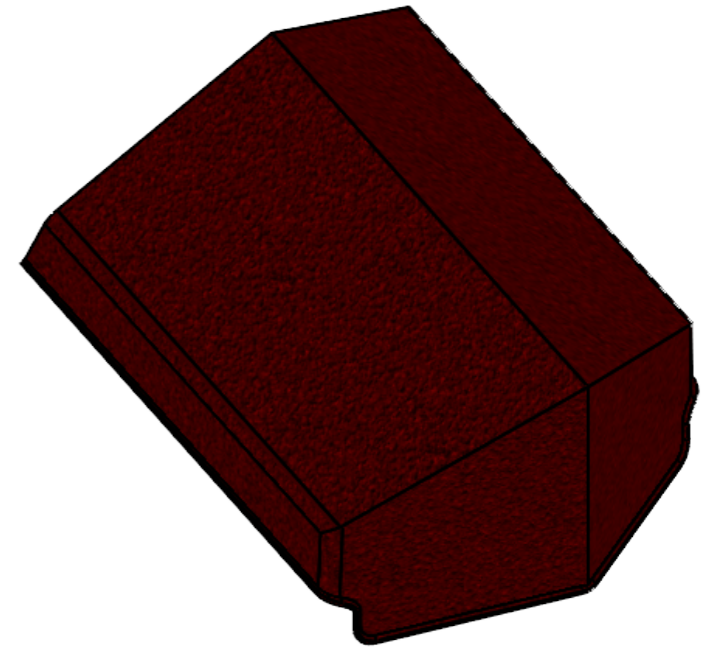
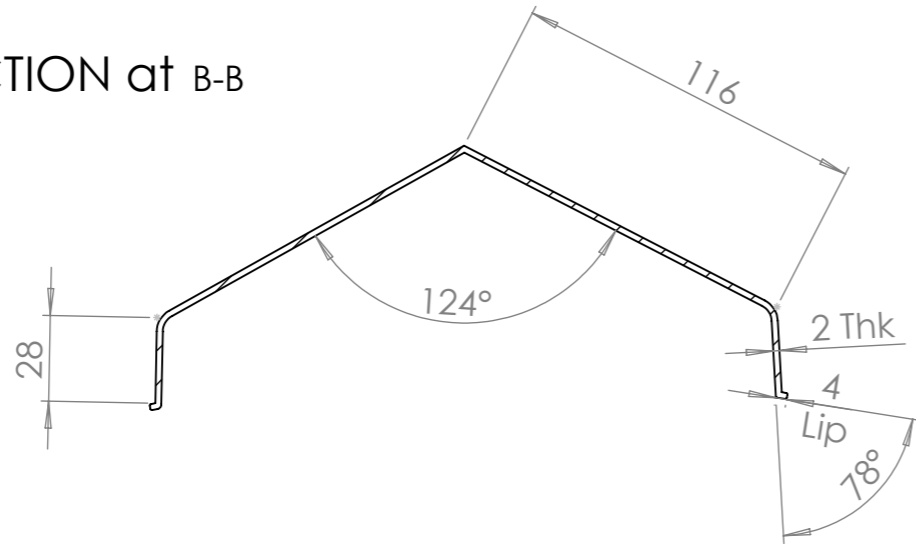
**BRITMET**  
 LIGHTWEIGHT ROOFING  
 Britmet Tileform Ltd  
 Kingfisher House, Unit 17  
 Overthorpe Road, Banbury, OX16 4SX

DO NOT SCALE DRAWING	REVISION
TITLE: 5 way ridge - slimline	
DWG NO. SLM5WAYRIDGE	
SCALE:DNS	SHEET 1 OF 1

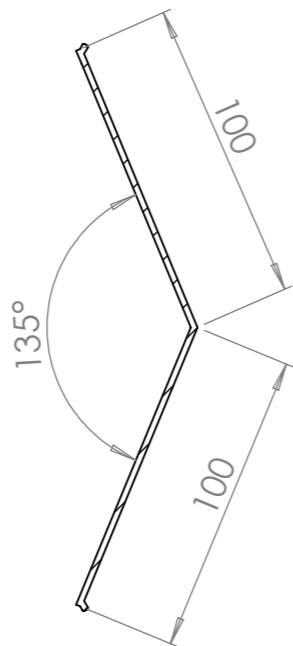
NAME	DATE	MATERIAL:
DRAWN		HIPS Polymer-Granular finish
CHKD		

A3

SECTION at B-B



SECTION at A-A

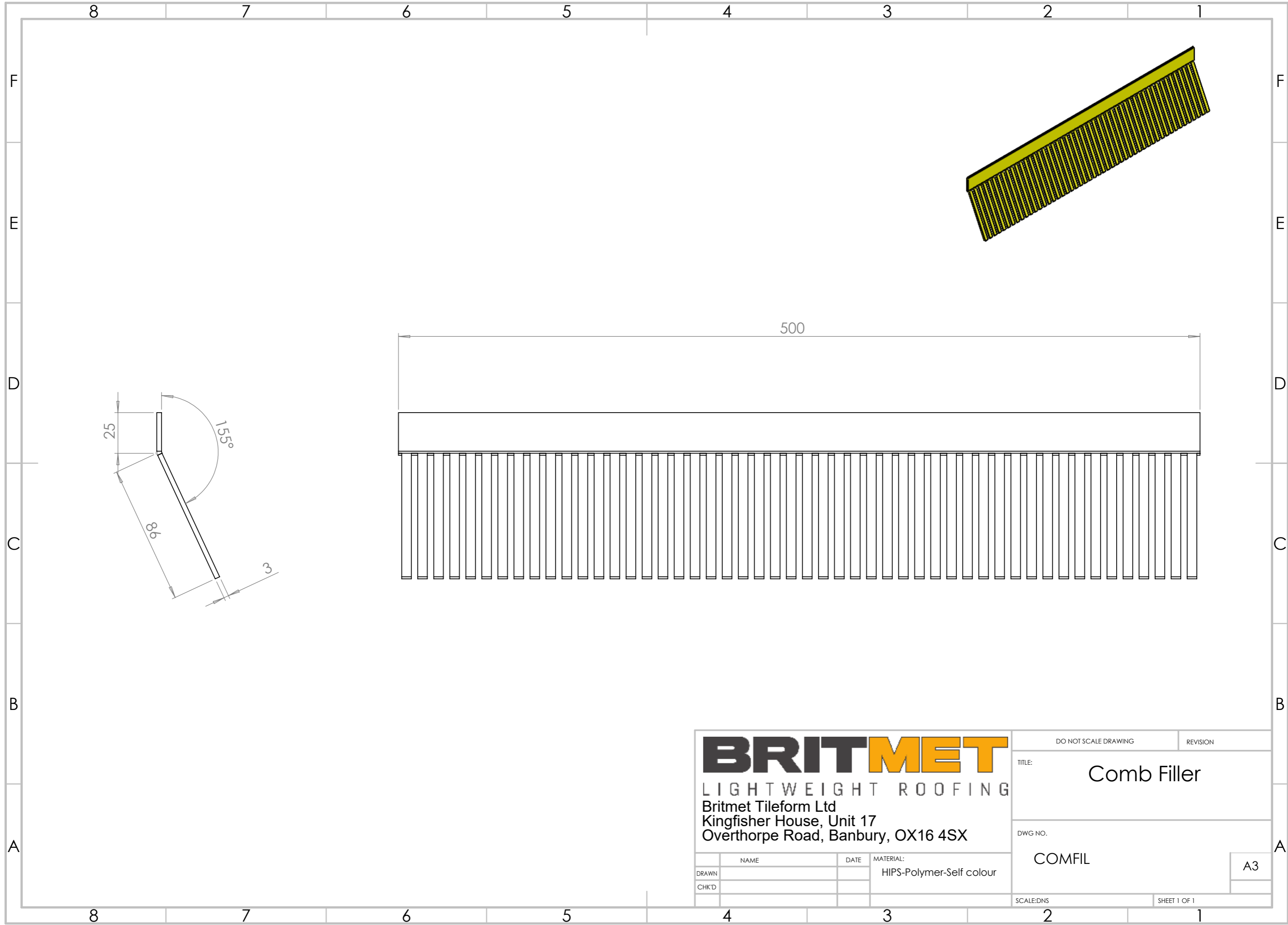


**BRITMET**  
 LIGHTWEIGHT ROOFING  
 Britmet Tileform Ltd  
 Kingfisher House, Unit 17  
 Overthorpe Road, Banbury, OX16 4SX

NAME	DATE	MATERIAL:
DRAWN		HIPS Polymer-Granular finish
CHKD		

DO NOT SCALE DRAWING	REVISION
TITLE: Hip end cap 135-STD	
DWG NO. 5RIDENCOAT	
SCALE:DNS	SHEET 1 OF 1

A3



**BRITMET**

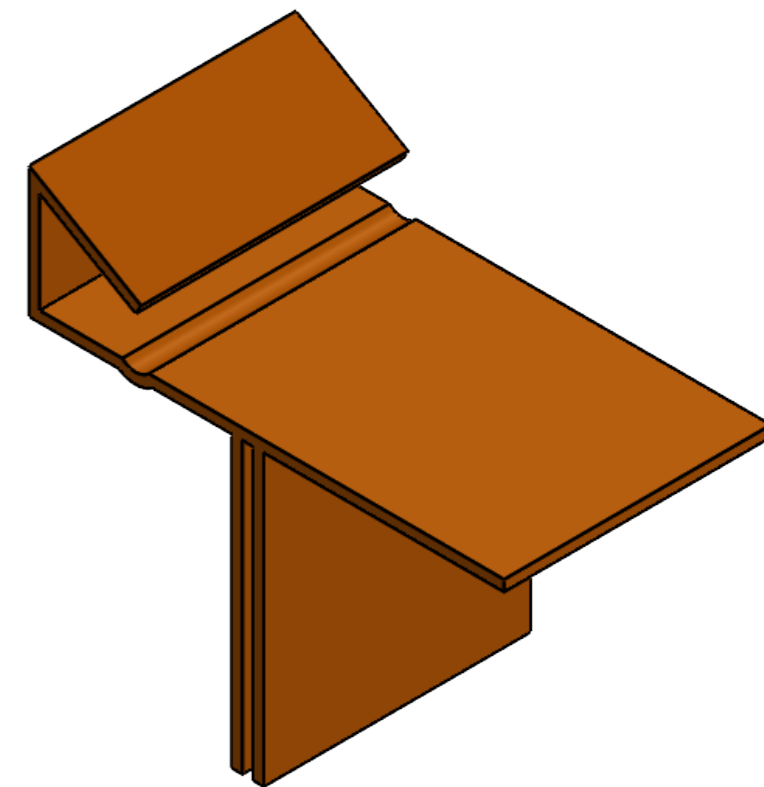
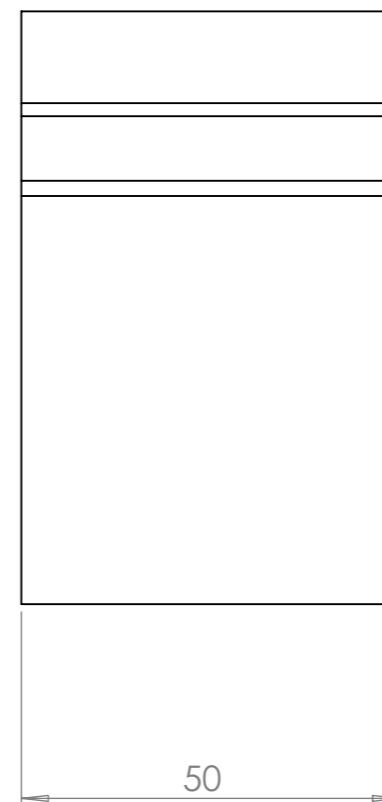
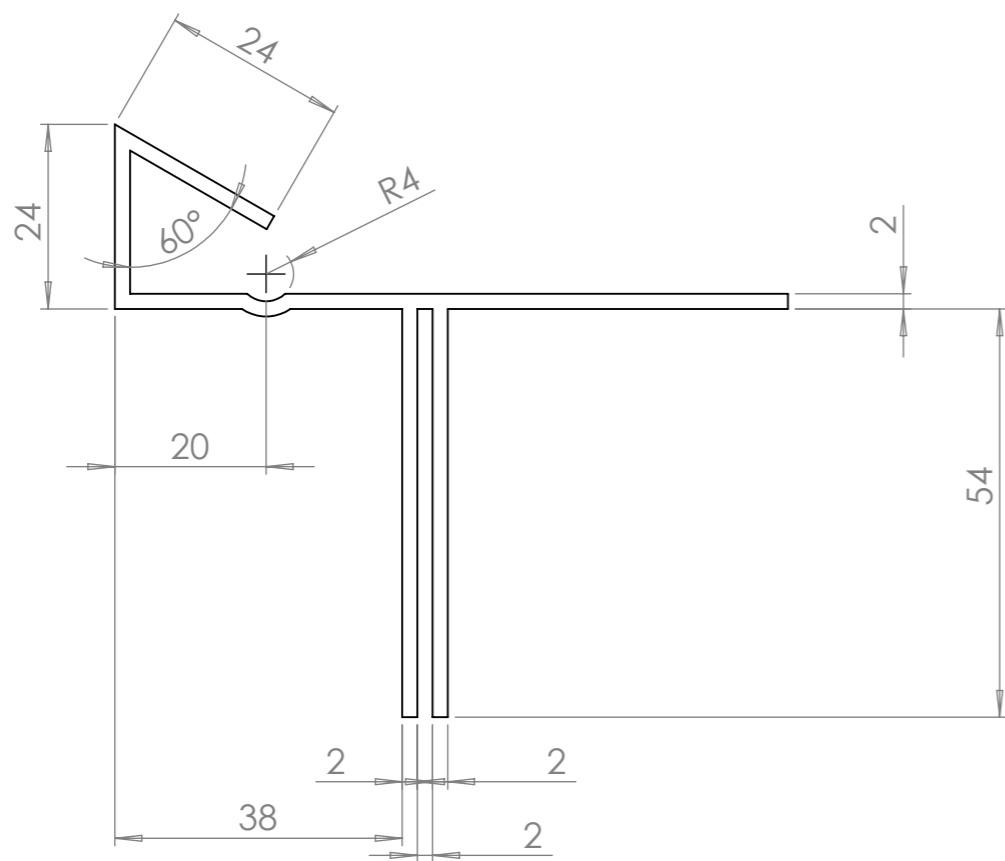
LIGHTWEIGHT ROOFING

Britmet Tileform Ltd  
 Kingfisher House, Unit 17  
 Overthorpe Road, Banbury, OX16 4SX

	NAME	DATE	MATERIAL:
DRAWN			HIPS-Polymer-Self colour
CHK'D			

DO NOT SCALE DRAWING	REVISION
TITLE:	Comb Filler
DWG NO.	COMFIL
SCALE:DNS	SHEET 1 OF 1

A3

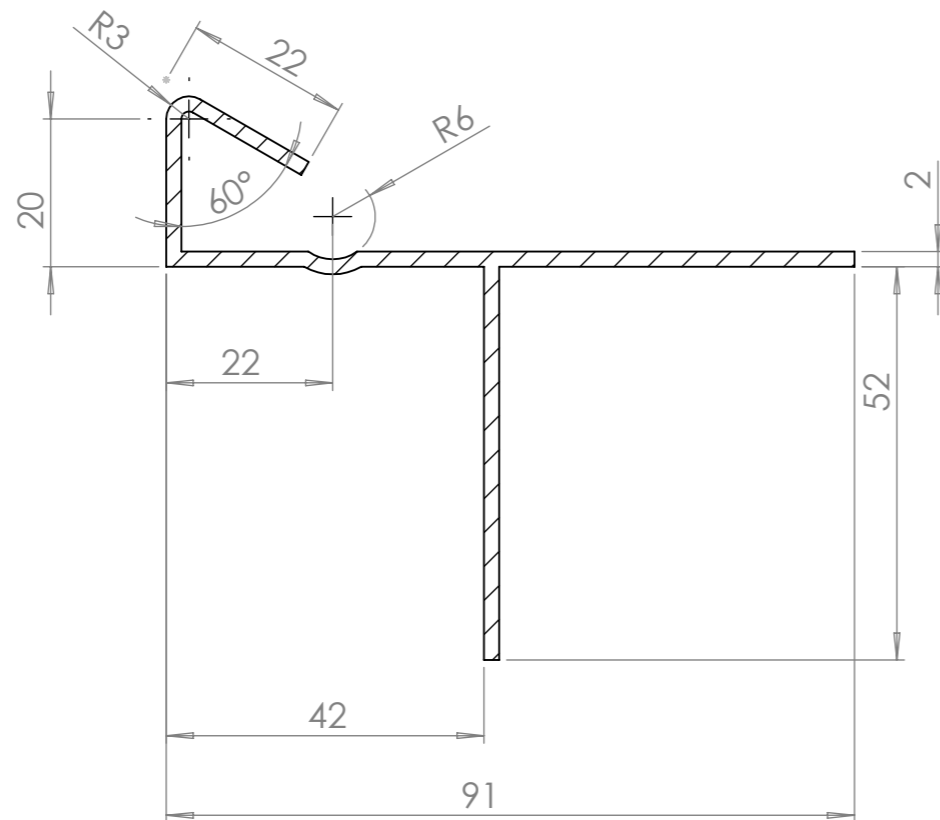


**BRITMET**  
 LIGHTWEIGHT ROOFING  
 Britmet Tileform Ltd  
 Kingfisher House, Unit 17  
 Overthorpe Road, Banbury, OX16 4SX

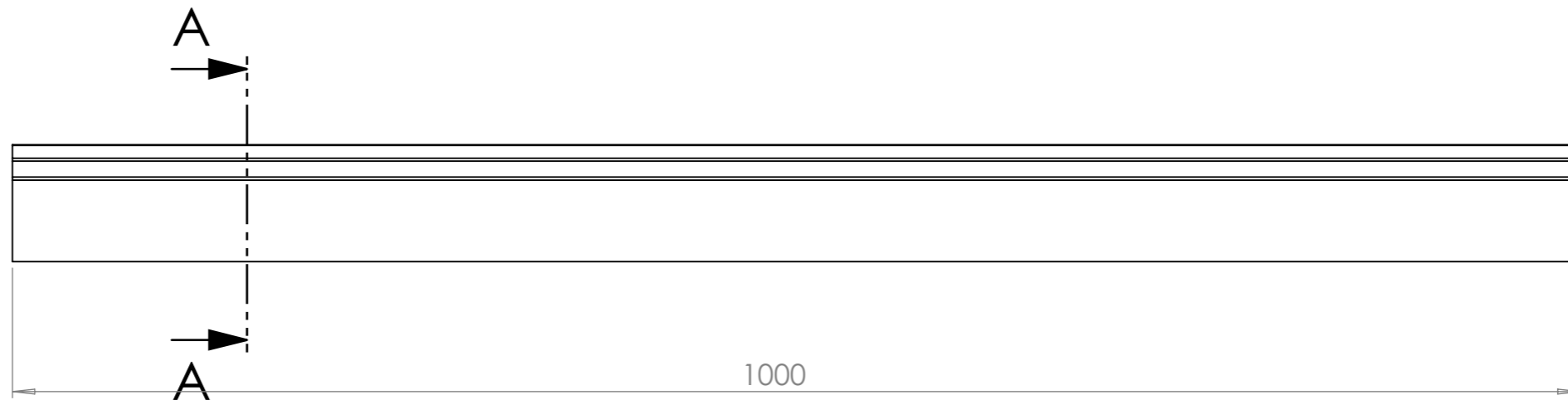
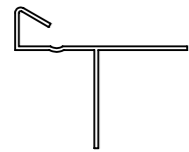
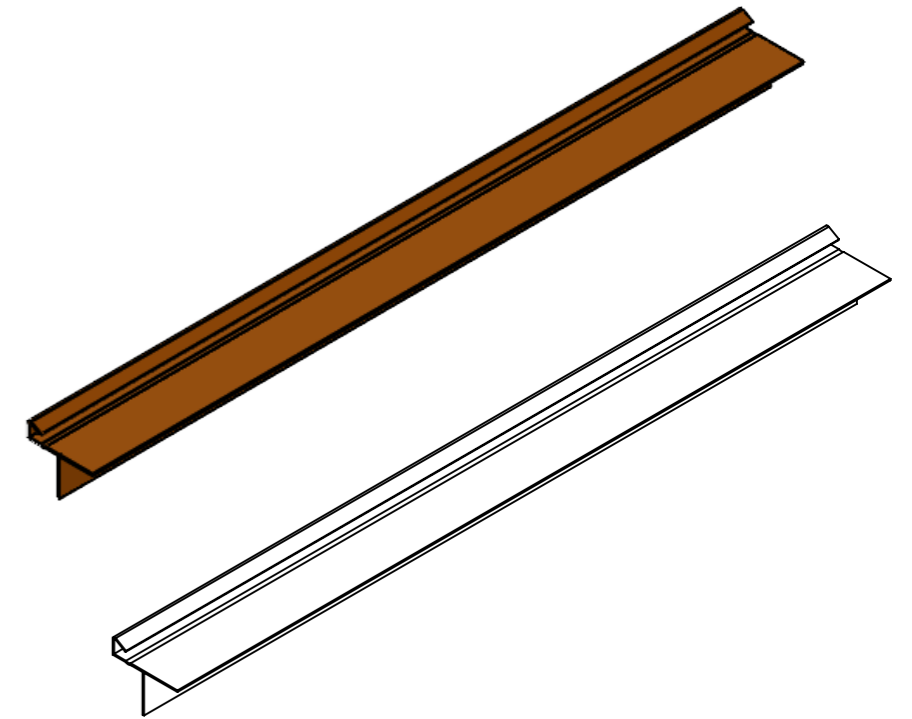
	NAME	DATE	MATERIAL:
DRAWN			HIPS Polymer-Self colour
CHK'D			

DO NOT SCALE DRAWING	REVISION
TITLE: Dry verge connector	
DWG NO. DRYVERGCON	
SCALE: DNS	SHEET 1 OF 1

A3



SECTION A-A

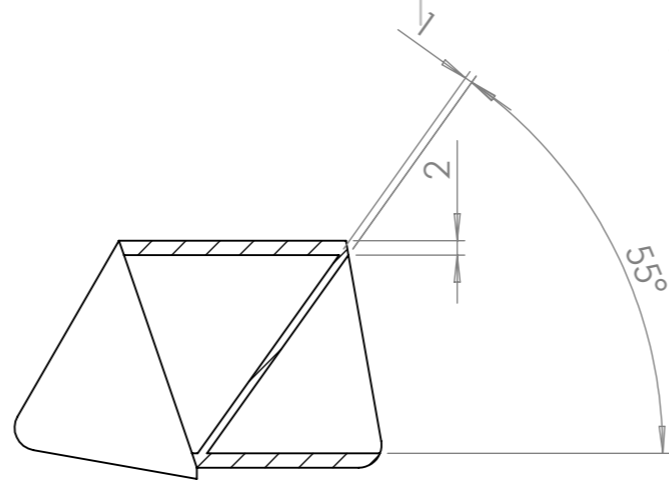
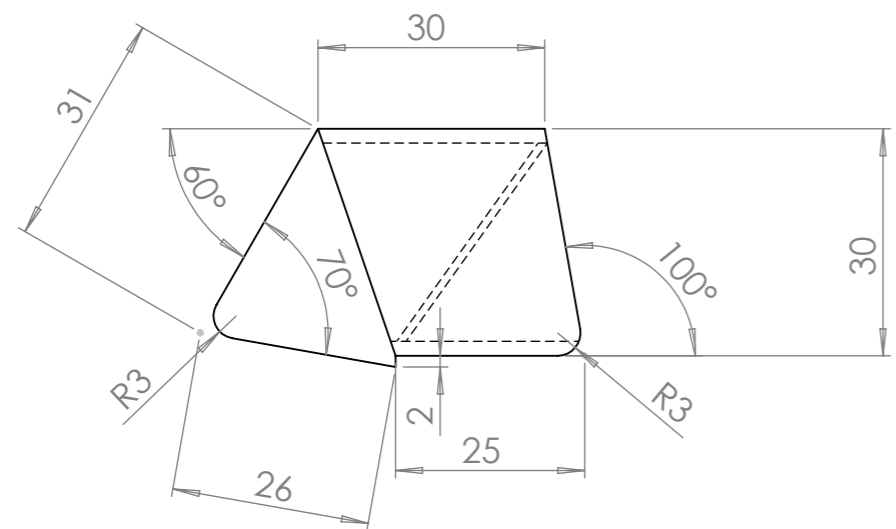


**BRITMET**  
 LIGHTWEIGHT ROOFING  
 Britmet Tileform Ltd  
 Kingfisher House, Unit 17  
 Overthorpe Road, Banbury, OX16 4SX

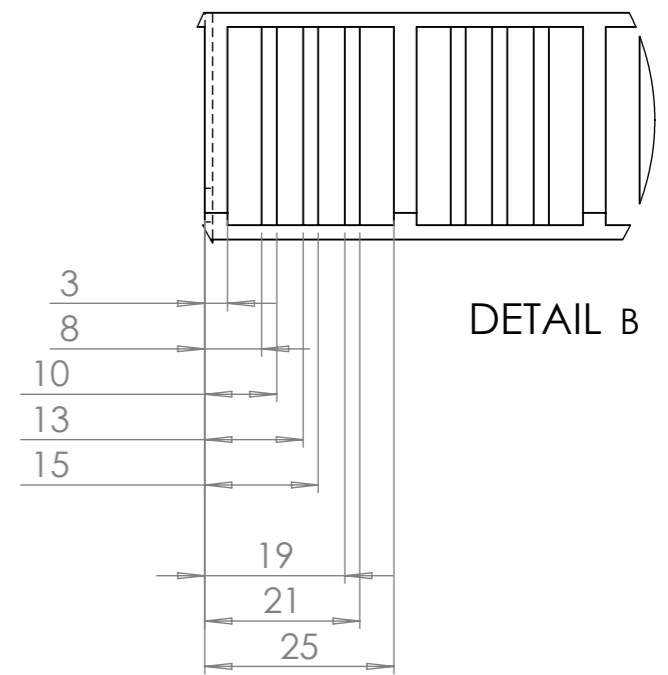
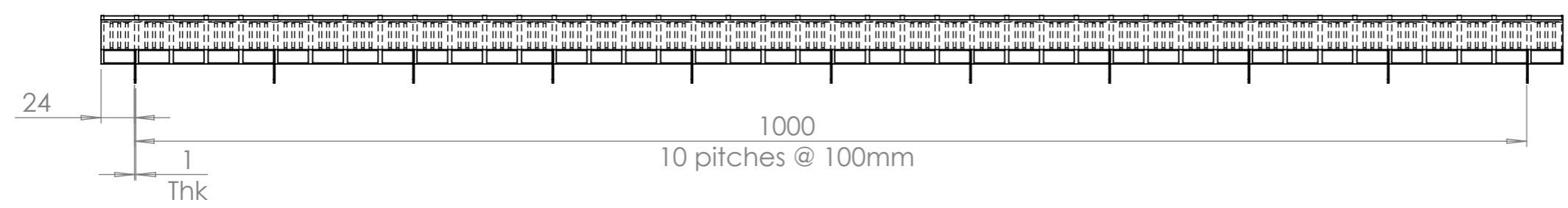
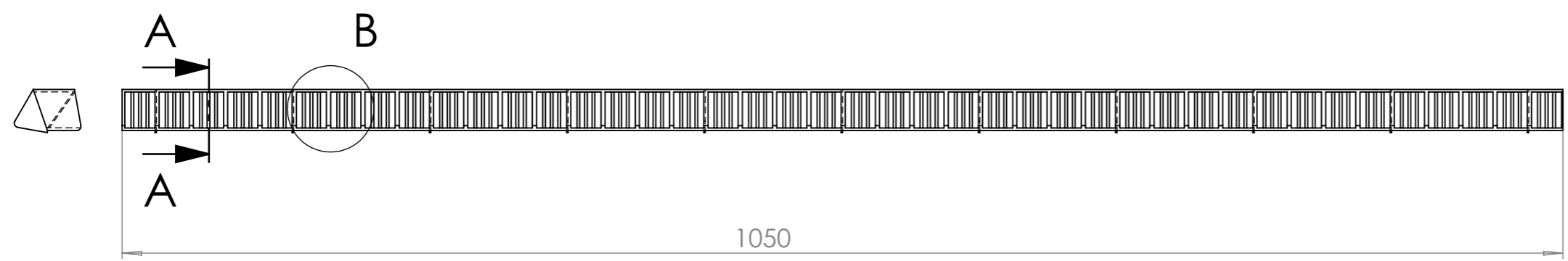
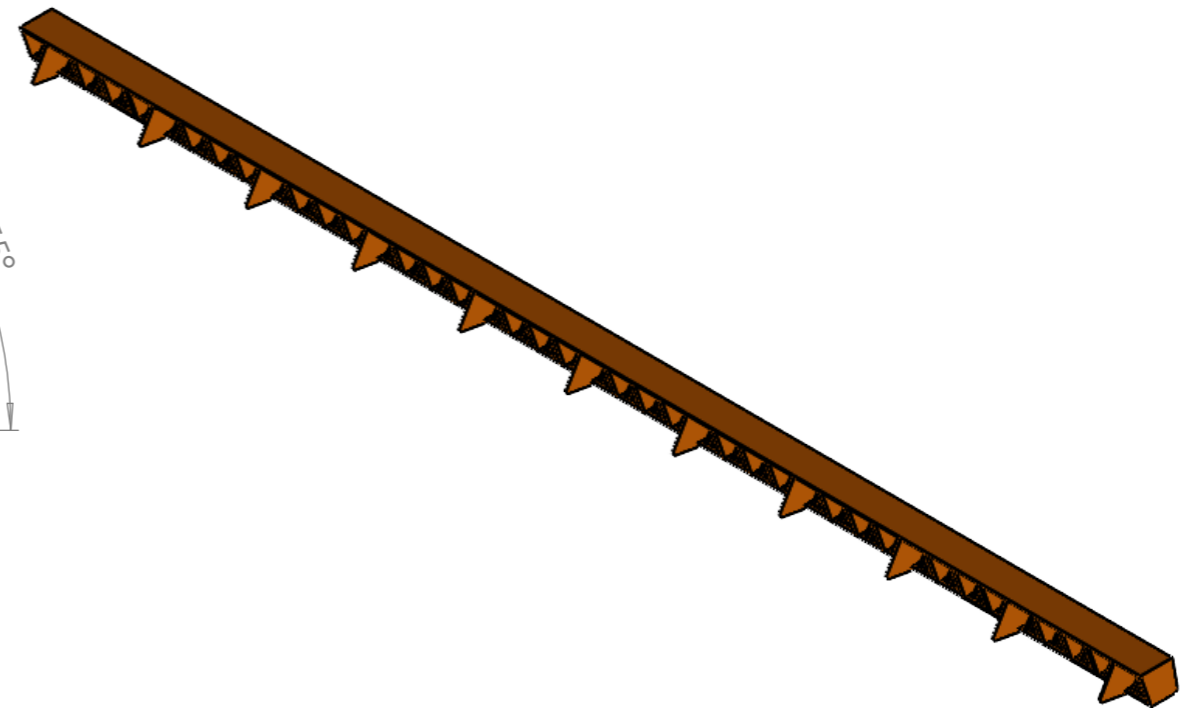
	NAME	DATE	MATERIAL:
DRAWN			HIPS Polymer
CHK'D			

DO NOT SCALE DRAWING	REVISION
TITLE: Continuous dry verge	
DWG NO. EASLAVER	
SCALE:DNS	SHEET 1 OF 1

A3



SECTION A-A



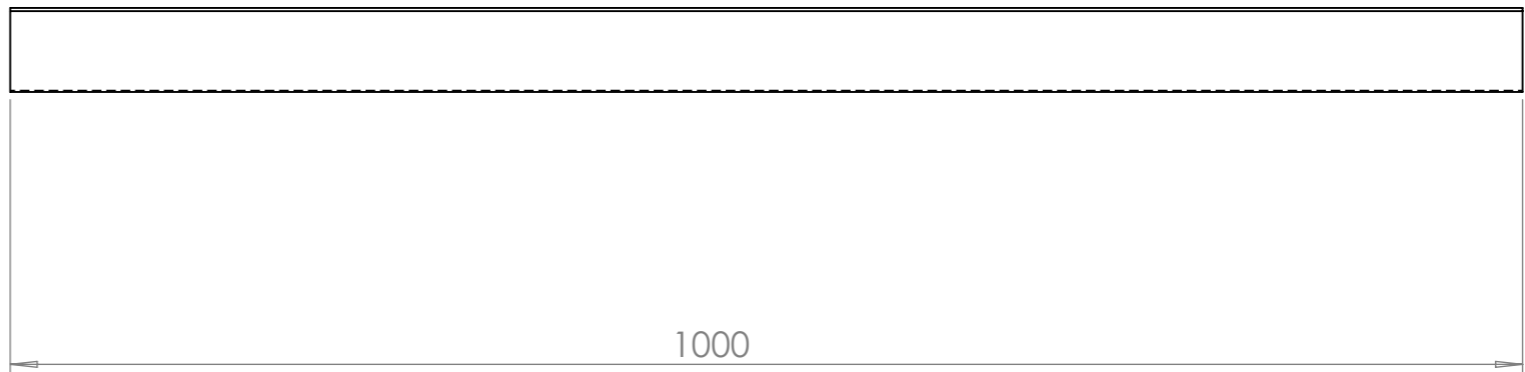
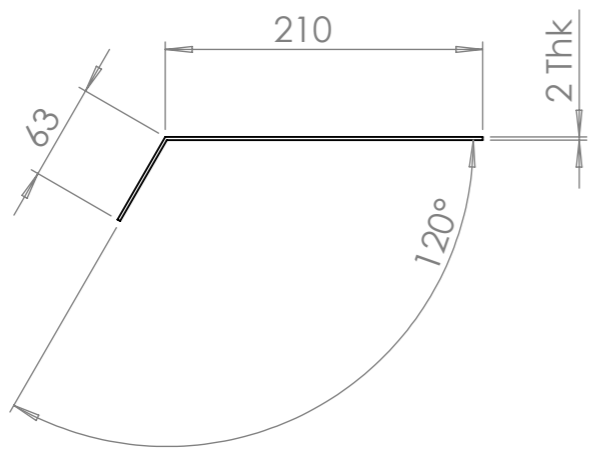
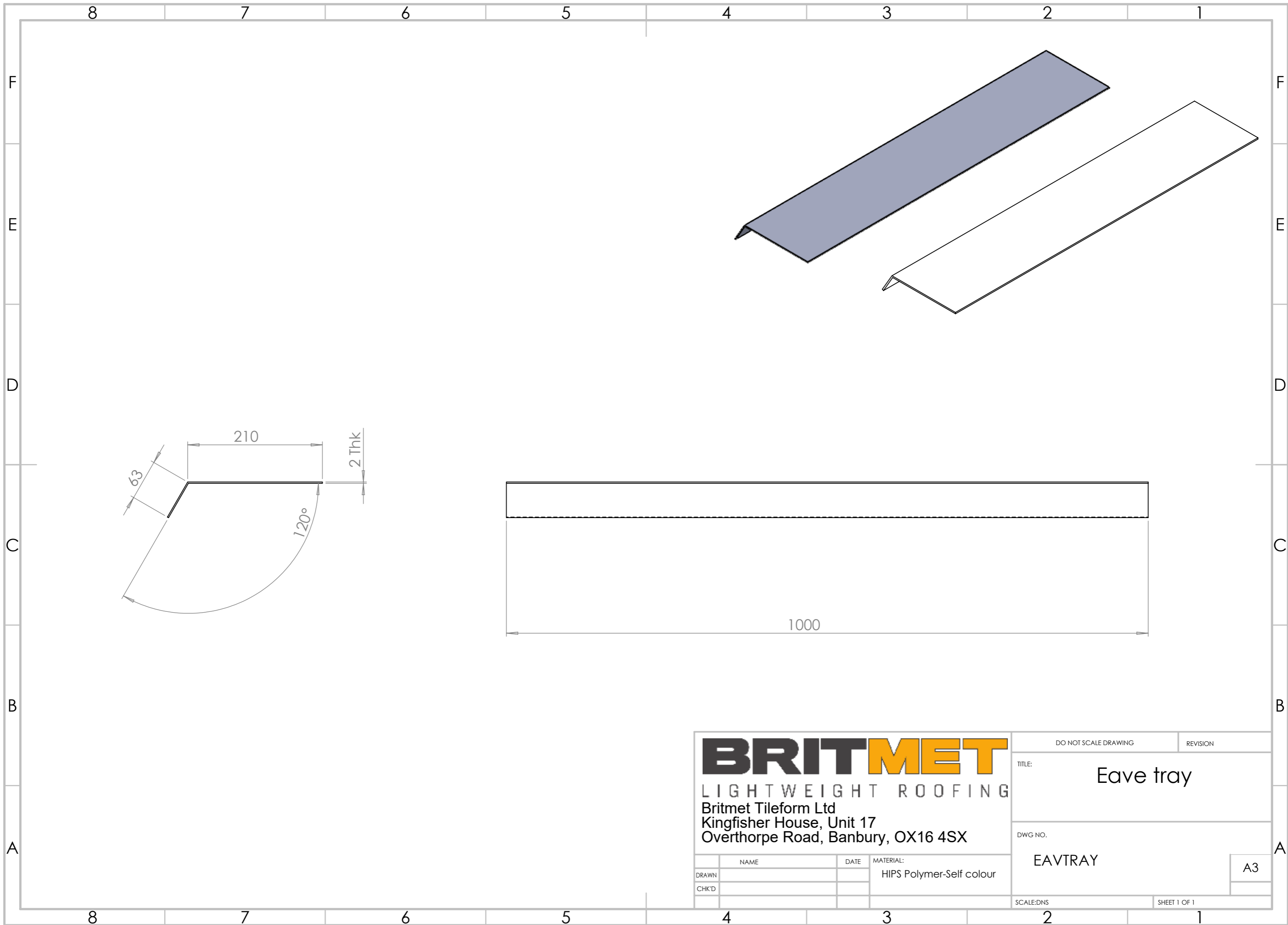
DETAIL B

**BRITMET**  
 LIGHTWEIGHT ROOFING  
 Britmet Tileform Ltd  
 Kingfisher House, Unit 17  
 Overthorpe Road, Banbury, OX16 4SX

	NAME	DATE	MATERIAL:
DRAWN			HIPS Polymer-Self colour
CHK'D			

DO NOT SCALE DRAWING	REVISION
TITLE: Eave vent strip	
DWG NO. EAVTRA	
SCALE:DNS	SHEET 1 OF 1

A3

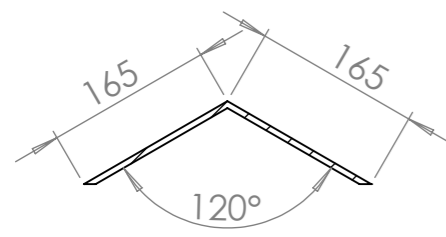
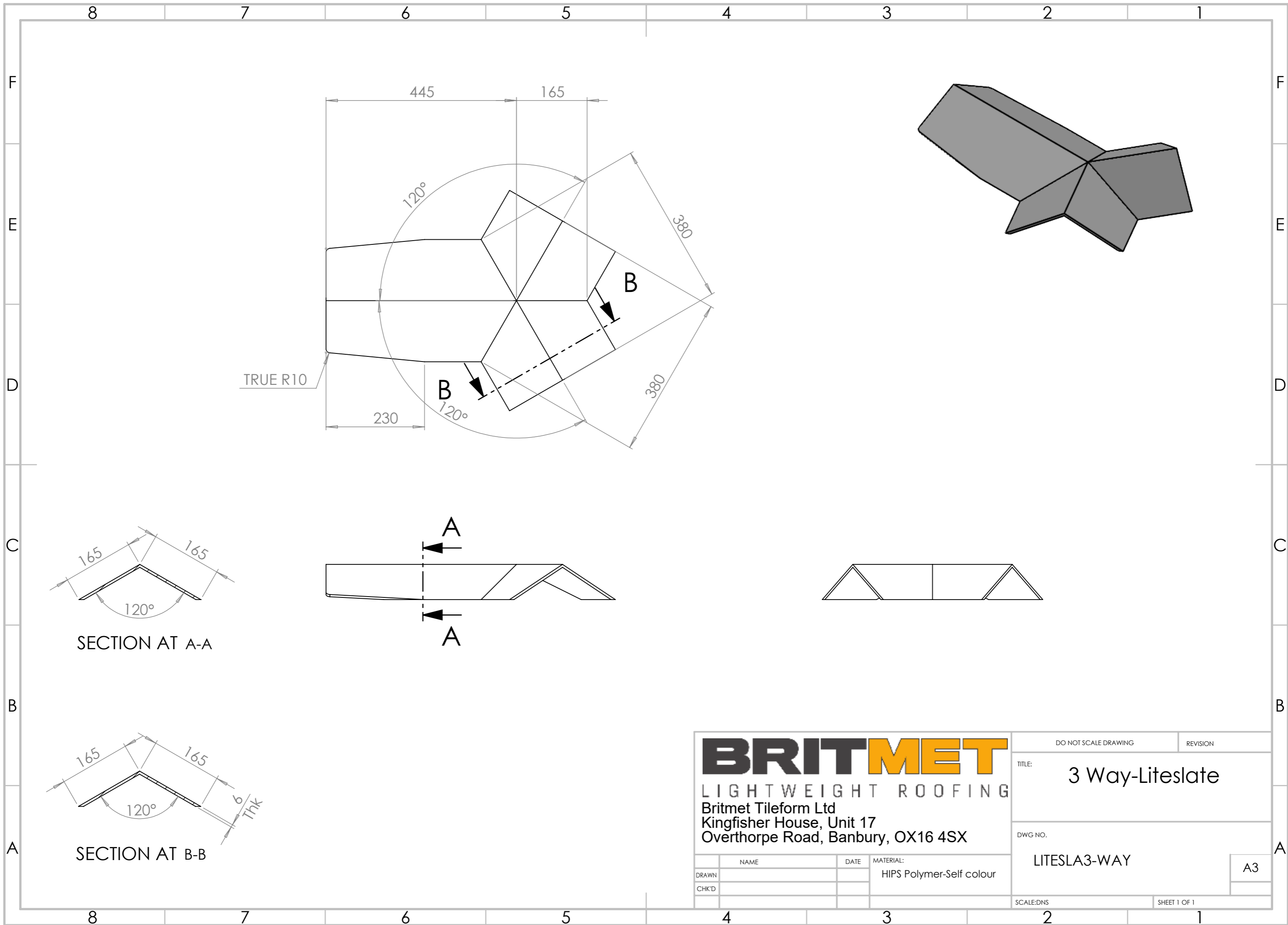


**BRITMET**  
 LIGHTWEIGHT ROOFING  
 Britmet Tileform Ltd  
 Kingfisher House, Unit 17  
 Overthorpe Road, Banbury, OX16 4SX

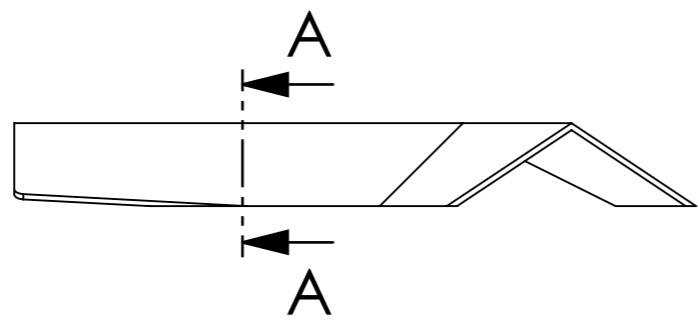
NAME	DATE	MATERIAL:
DRAWN		HIPS Polymer-Self colour
CHK'D		

DO NOT SCALE DRAWING	REVISION
TITLE: Eave tray	
DWG NO. EAVTRAY	
SCALE:DNS	SHEET 1 OF 1

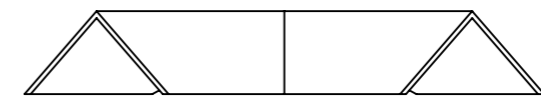
A3



SECTION AT A-A



SECTION AT B-B

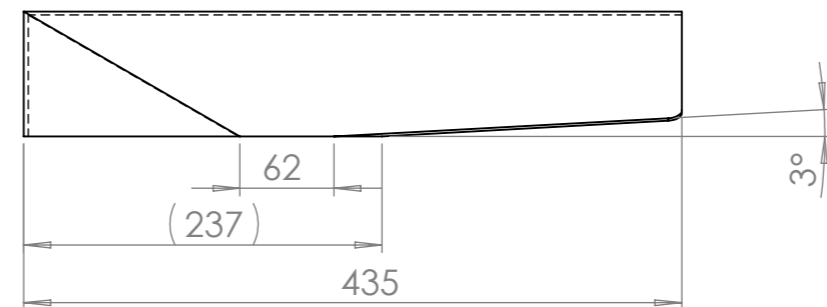
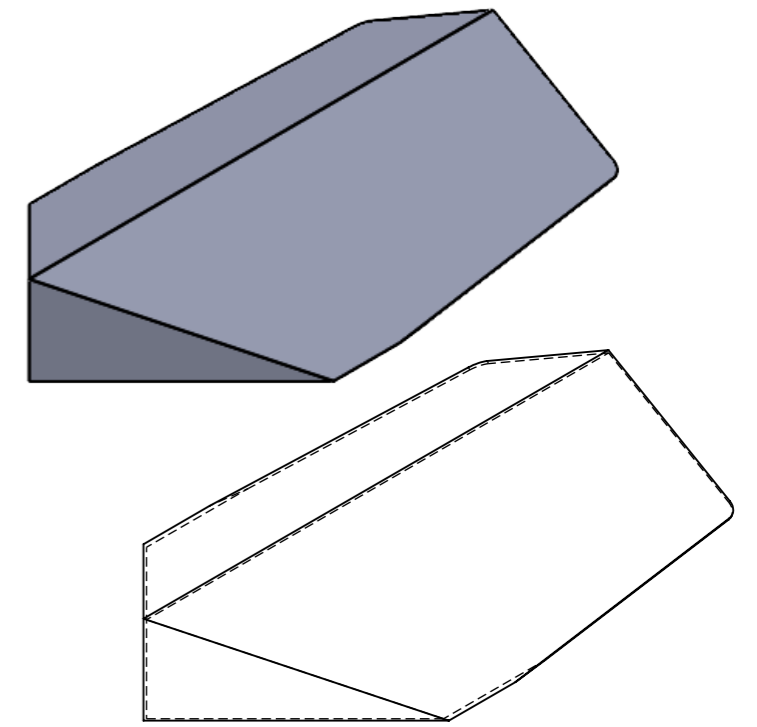
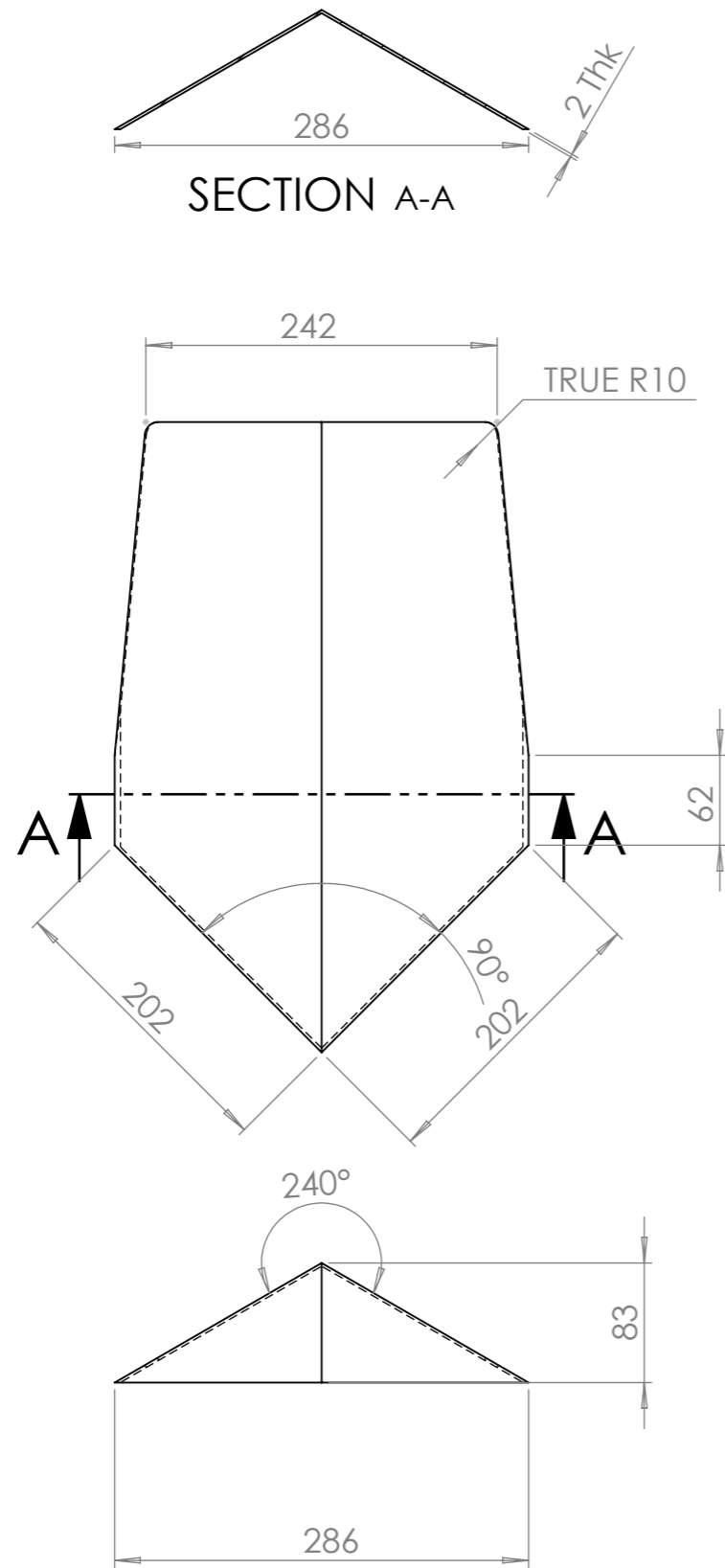


**BRITMET**  
 LIGHTWEIGHT ROOFING  
 Britmet Tileform Ltd  
 Kingfisher House, Unit 17  
 Overthorpe Road, Banbury, OX16 4SX

NAME	DATE	MATERIAL:
DRAWN		HIPS Polymer-Self colour
CHK'D		

DO NOT SCALE DRAWING	REVISION
TITLE:	3 Way-Liteslate
DWG NO.:	LITESLA3-WAY
SCALE:DNS	SHEET 1 OF 1

A3

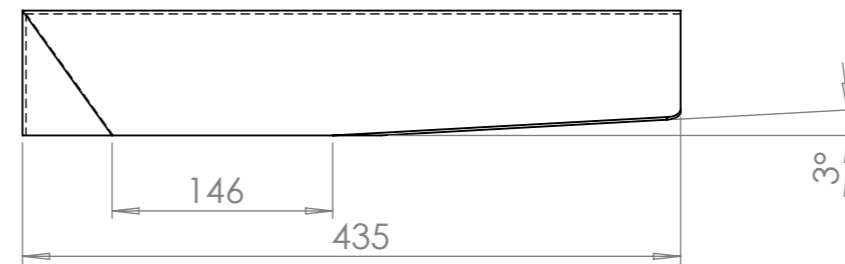
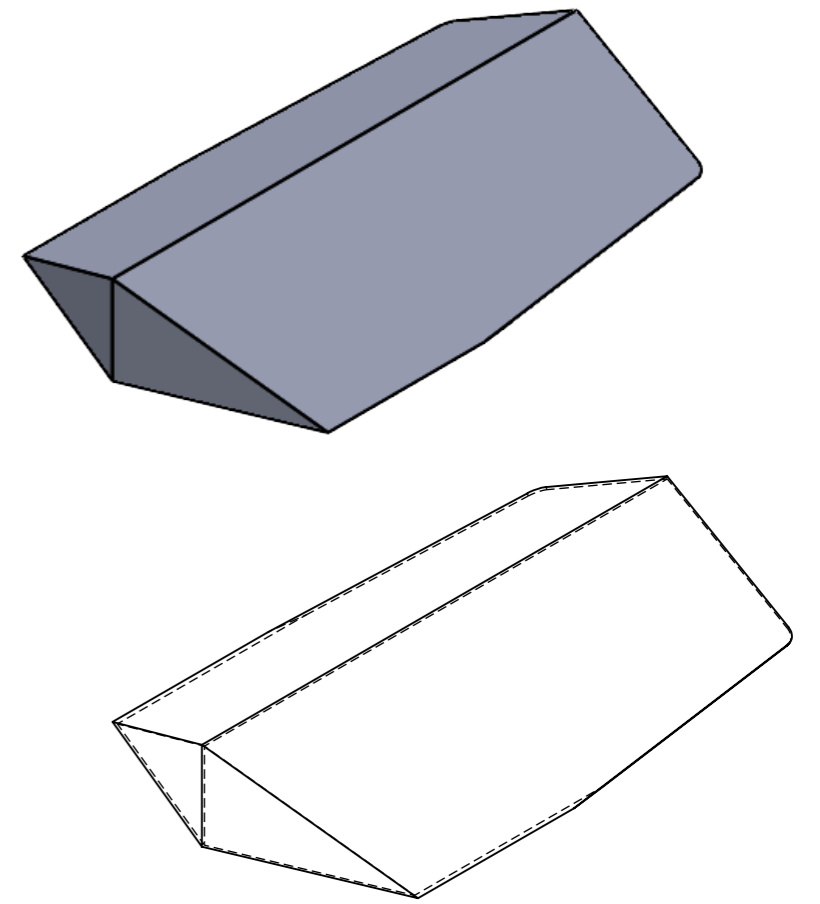
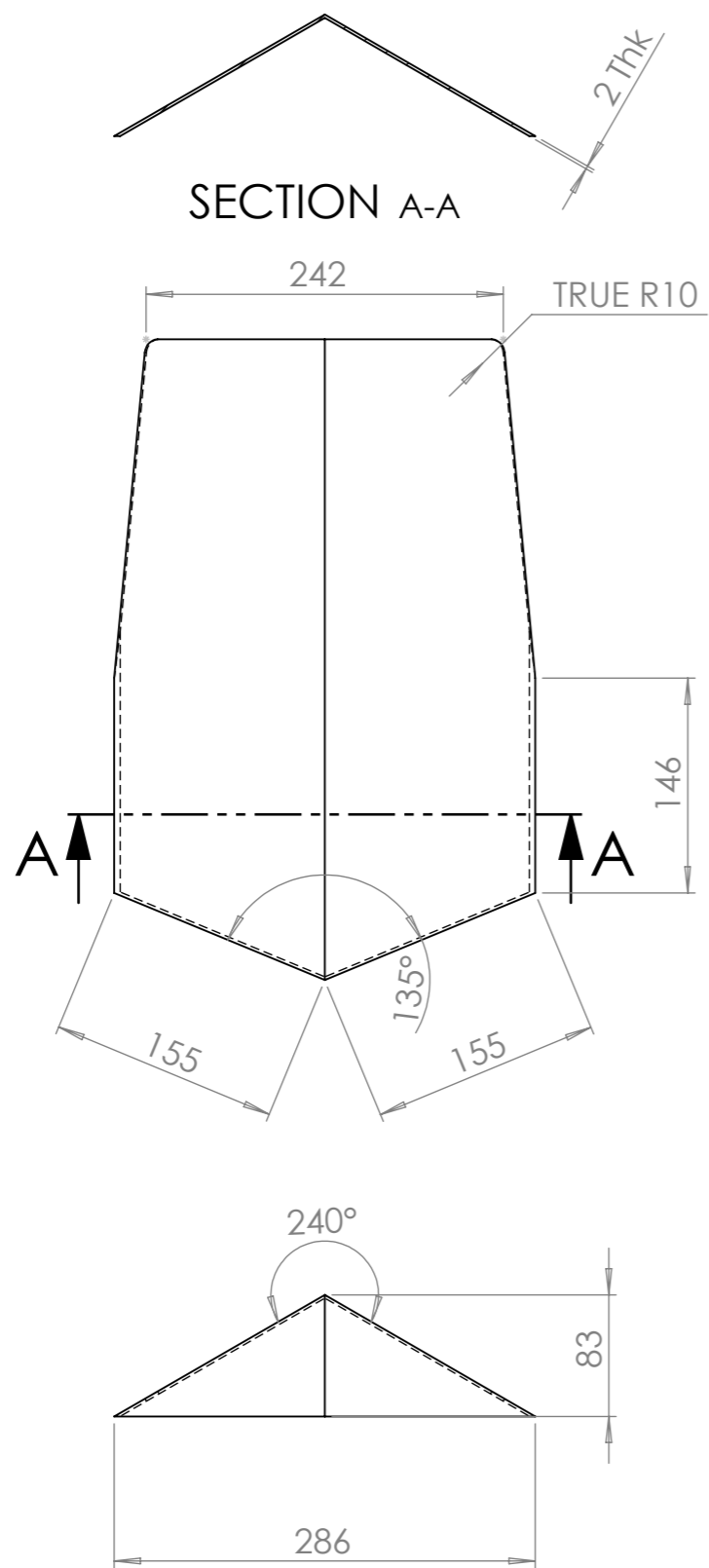


**BRITMET**  
 LIGHTWEIGHT ROOFING  
 Britmet Tileform Ltd  
 Kingfisher House, Unit 17  
 Overthorpe Road, Banbury, OX16 4SX

	NAME	DATE	MATERIAL:
DRAWN			HIP Polymer-Specify
CHK'D			colour

DO NOT SCALE DRAWING	REVISION
TITLE: Hip end cap 90- Liteslate	
DWG NO. LITESLAENDCAP90	
SCALE:DNS	SHEET 1 OF 1

A3

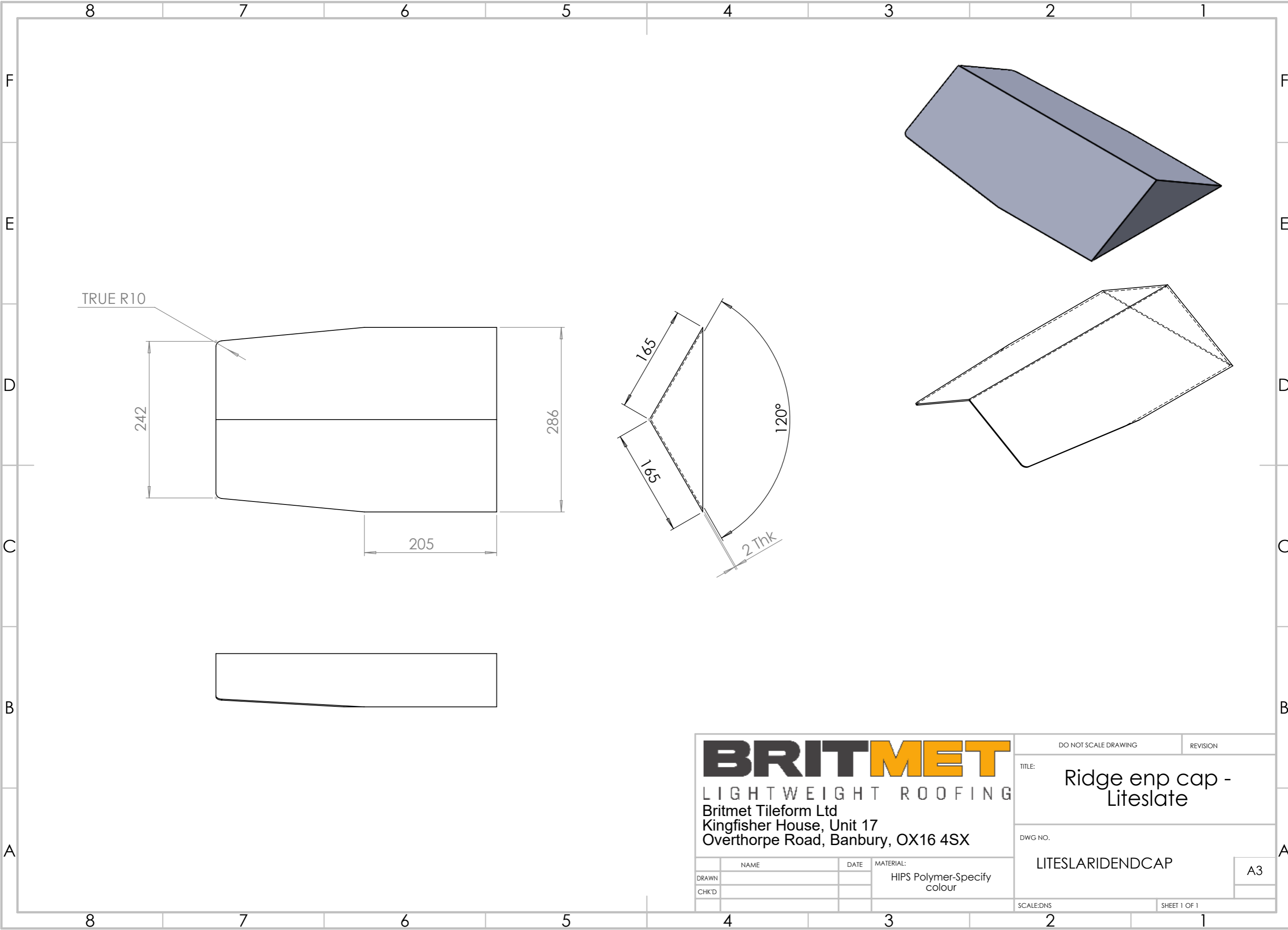


**BRITMET**  
 LIGHTWEIGHT ROOFING  
 Britmet Tileform Ltd  
 Kingfisher House, Unit 17  
 Overthorpe Road, Banbury, OX16 4SX

NAME	DATE	MATERIAL:
DRAWN		HIPS Polymer-Specify colour
CHK'D		

DO NOT SCALE DRAWING	REVISION
TITLE: End cap -135 - Liteslate	
DWG NO. LITESLAENDCAP135	
SCALE:DNS	SHEET 1 OF 1

A3

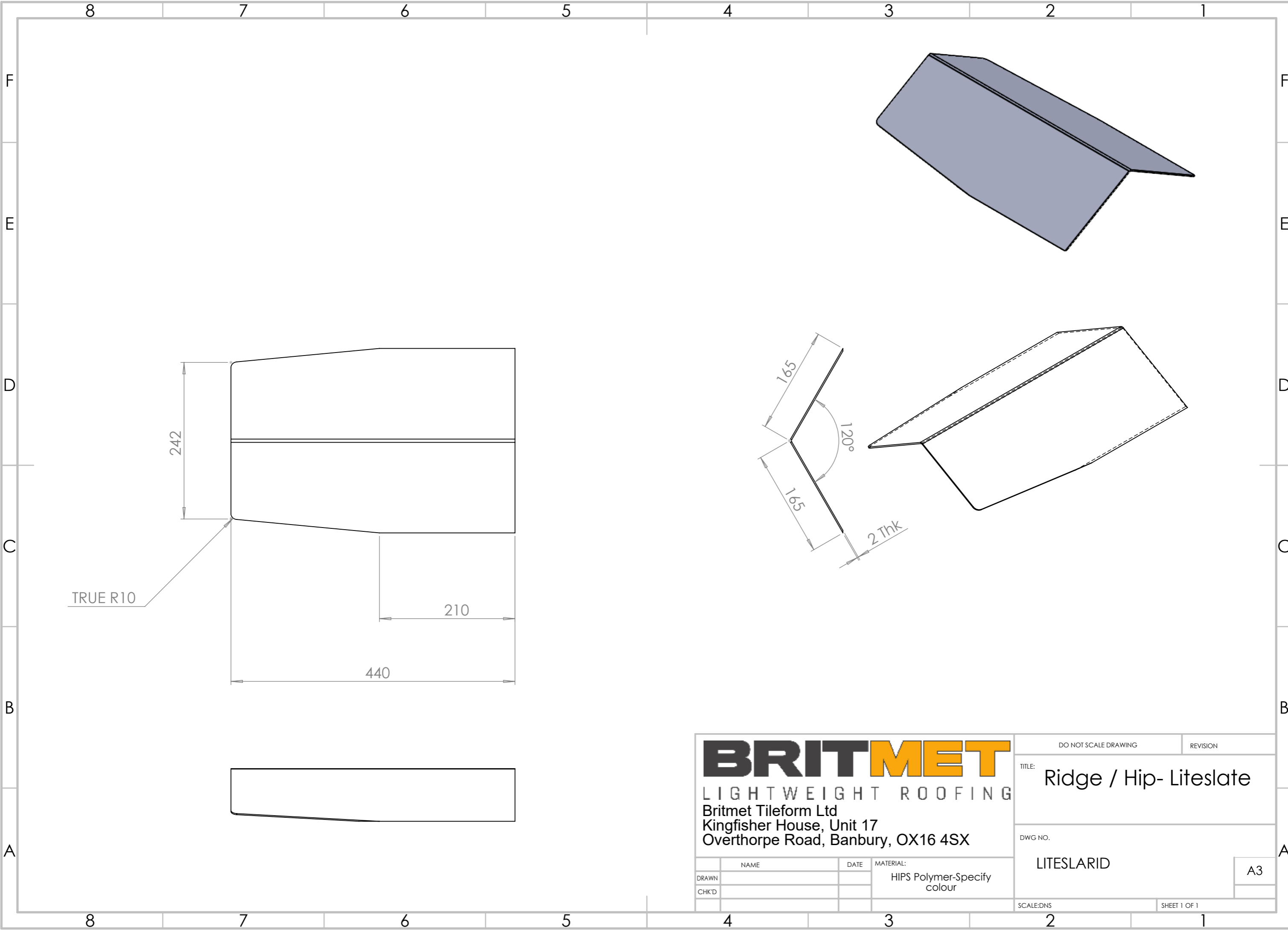


**BRITMET**  
 LIGHTWEIGHT ROOFING  
 Britmet Tileform Ltd  
 Kingfisher House, Unit 17  
 Overthorpe Road, Banbury, OX16 4SX

DO NOT SCALE DRAWING		REVISION
TITLE:		Ridge end cap - Liteslate
DWG NO.:		LITESLARIDENDCAP
SCALE:DNS		SHEET 1 OF 1

NAME	DATE	MATERIAL:
DRAWN		HIPS Polymer-Specify colour
CHK'D		

A3

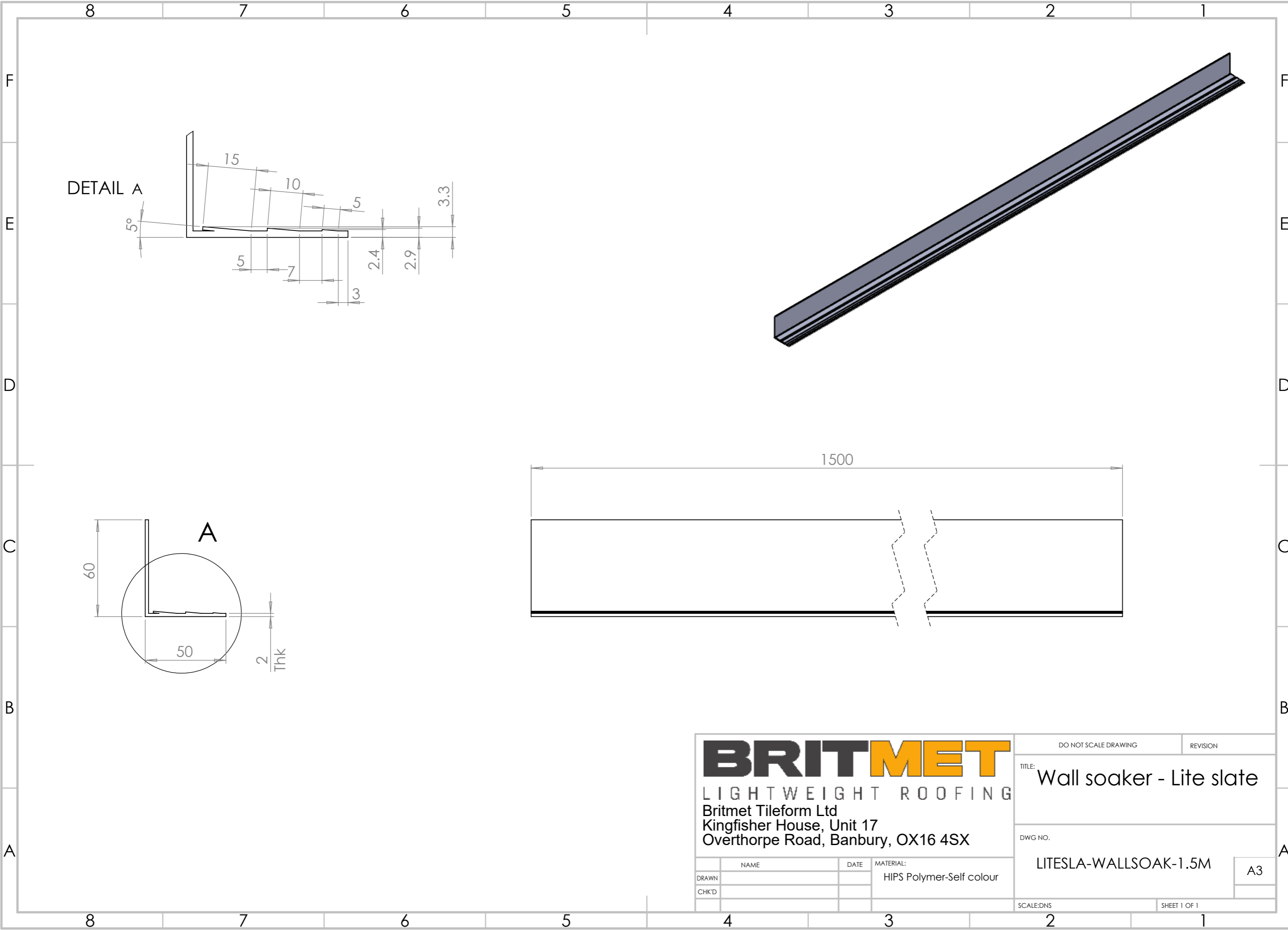


**BRITMET**  
 LIGHTWEIGHT ROOFING  
 Britmet Tileform Ltd  
 Kingfisher House, Unit 17  
 Overthorpe Road, Banbury, OX16 4SX

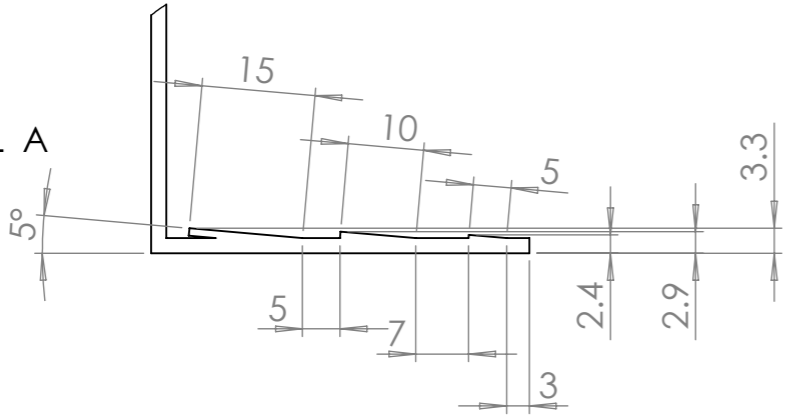
NAME	DATE	MATERIAL:
DRAWN		HIPS Polymer-Specify colour
CHK'D		

DO NOT SCALE DRAWING	REVISION
TITLE: Ridge / Hip- Liteslate	
DWG NO. LITESLARID	
SCALE:DNS	SHEET 1 OF 1

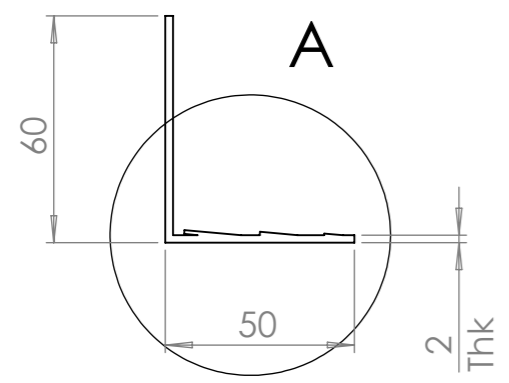
A3



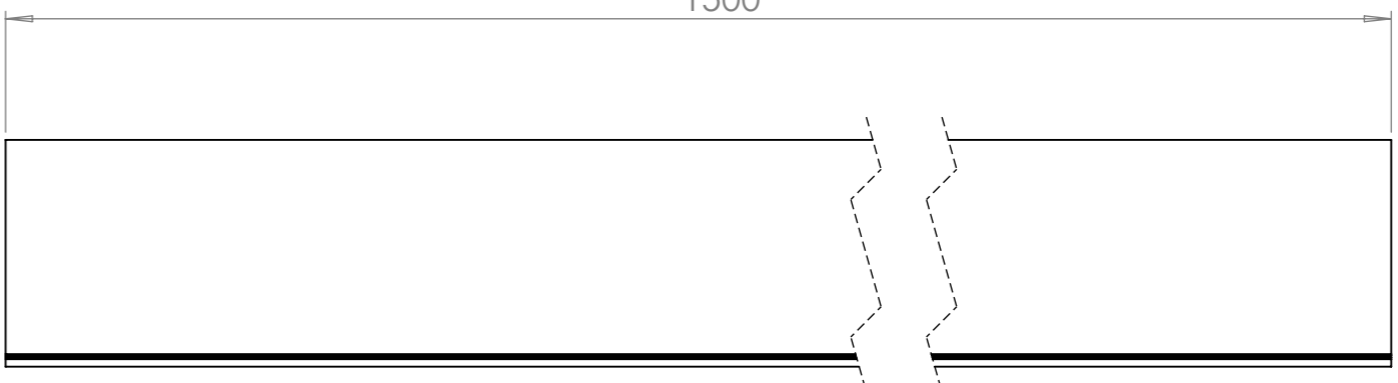
DETAIL A



A



1500

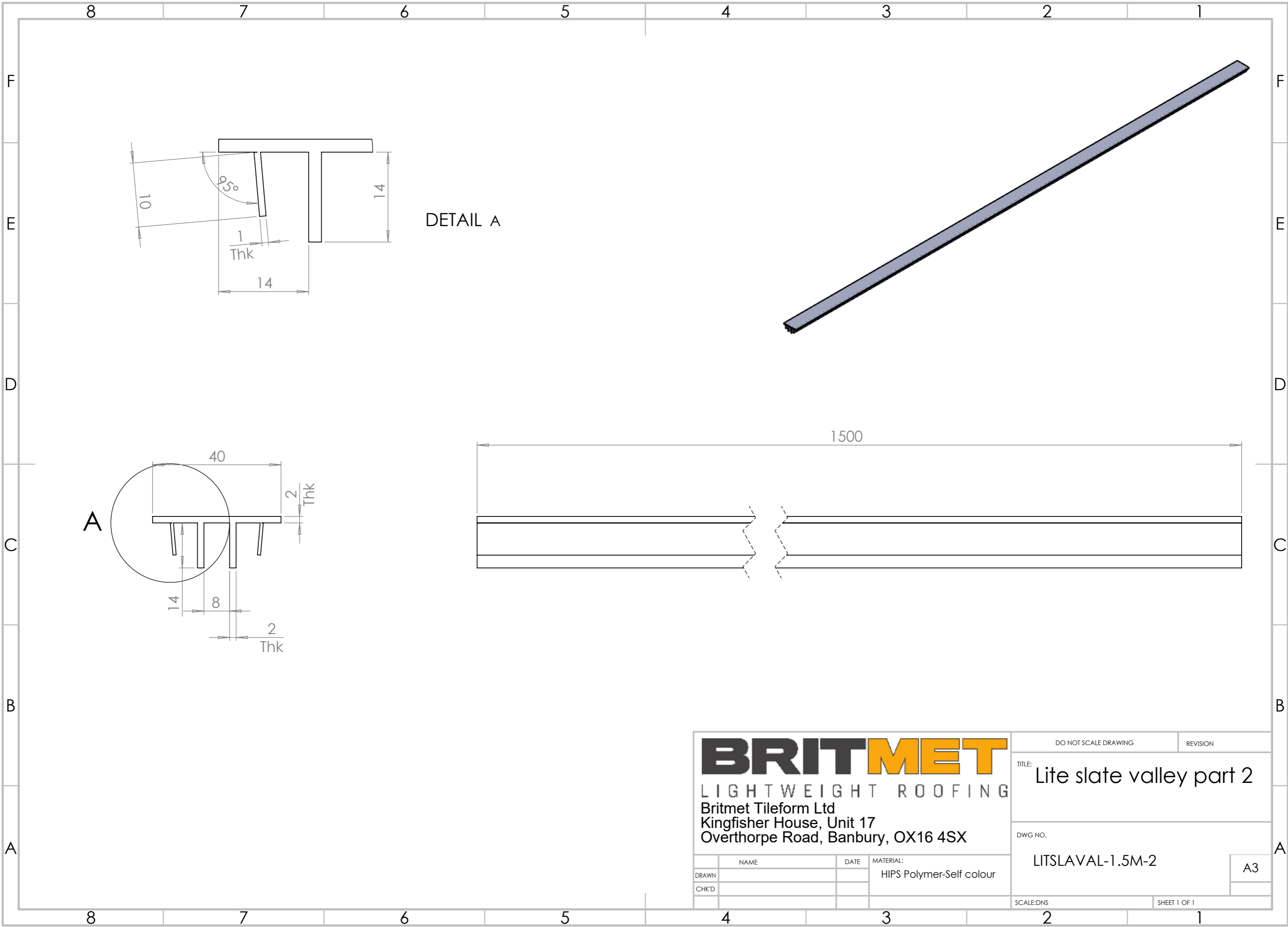


**BRITMET**  
 LIGHTWEIGHT ROOFING  
 Britmet Tileform Ltd  
 Kingfisher House, Unit 17  
 Overthorpe Road, Banbury, OX16 4SX

	NAME	DATE	MATERIAL:
DRAWN			HIPS Polymer-Self colour
CHK'D			

DO NOT SCALE DRAWING	REVISION
TITLE: Wall soaker - Lite slate	
DWG NO. LITESLA-WALLSOAK-1.5M	
SCALE:DNS	SHEET 1 OF 1

A3



DETAIL A

A

**BRITMET**

LIGHTWEIGHT ROOFING

Britmet Tileform Ltd  
Kingfisher House, Unit 17  
Overthorpe Road, Banbury, OX16 4SX

	NAME	DATE	MATERIAL:
DRAWN			HIPS Polymer-Self colour
CHK'D			

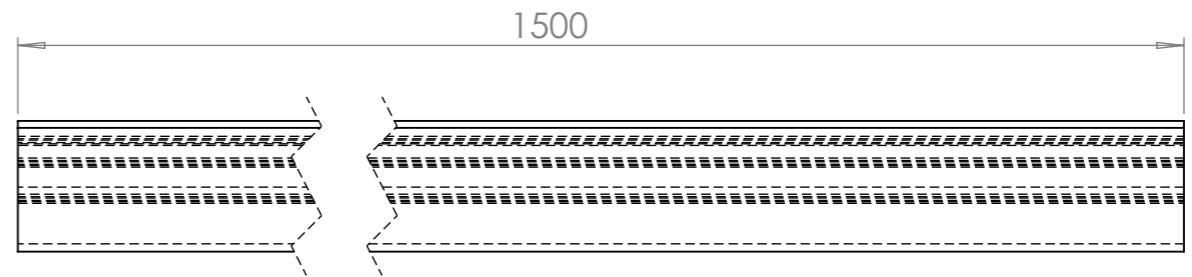
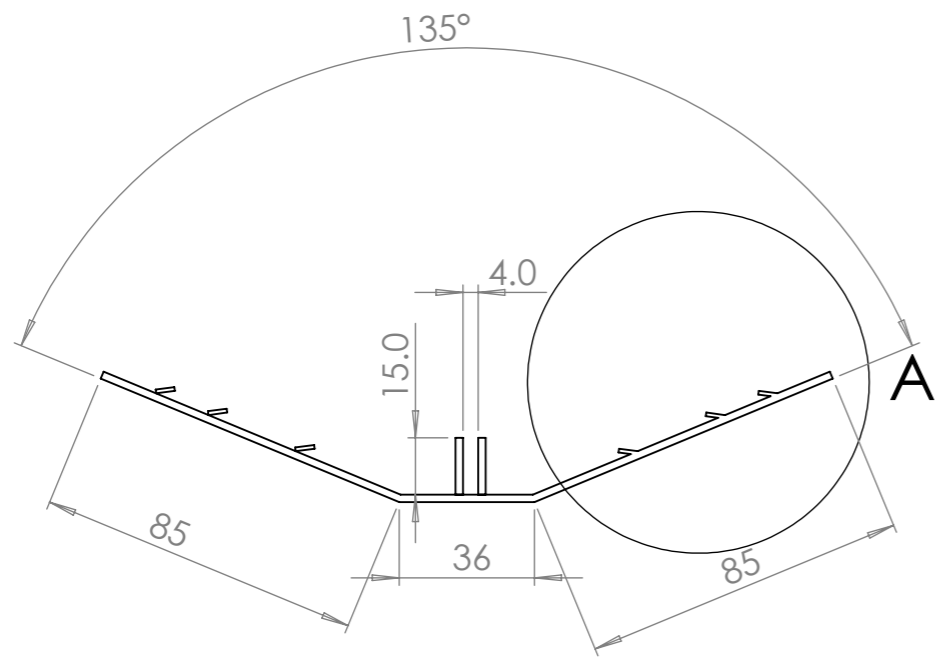
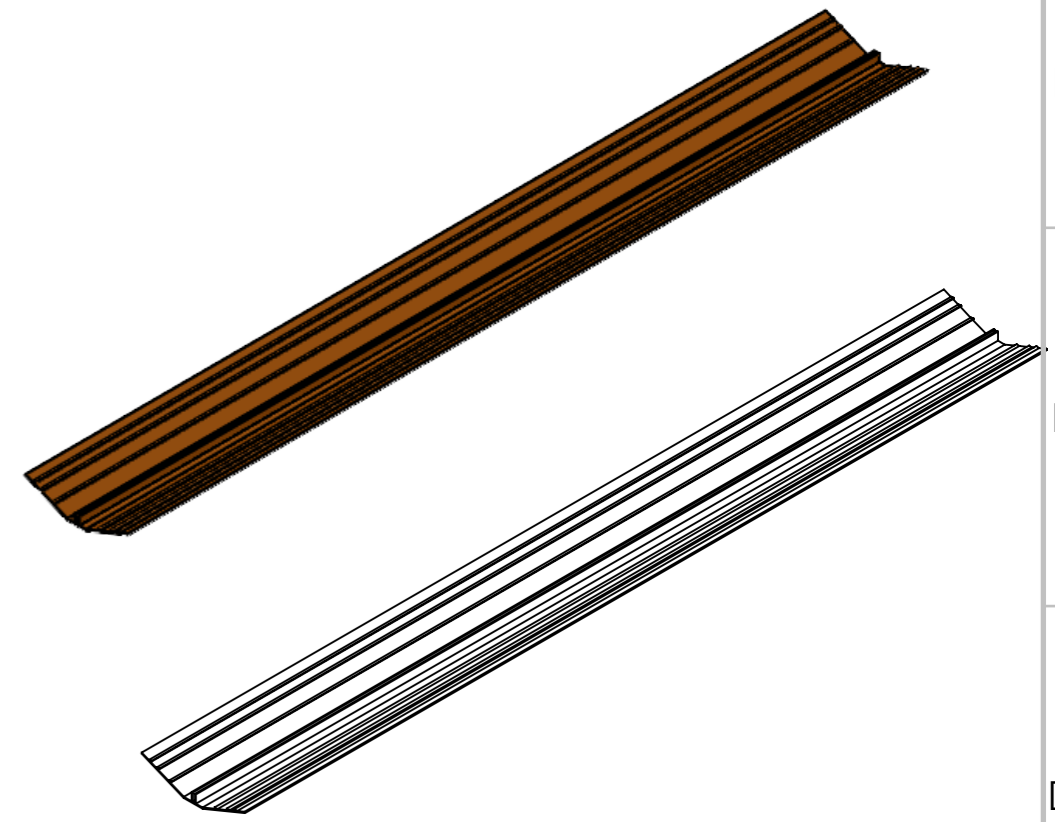
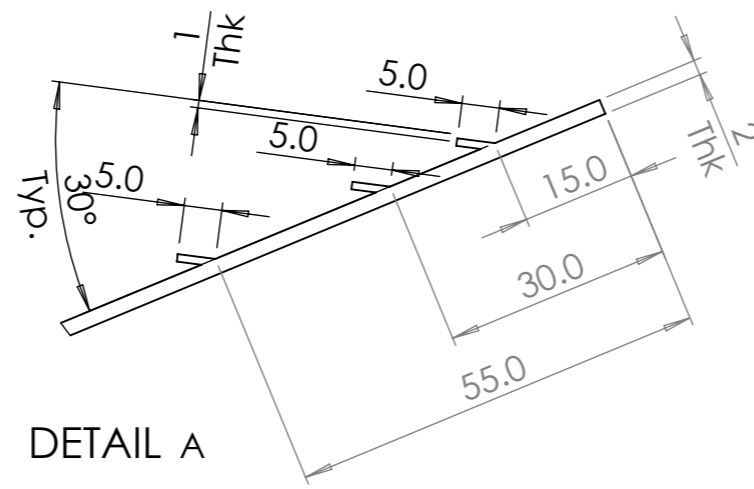
DO NOT SCALE DRAWING REVISION

TITLE: Lite slate valley part 2

DWG NO. LITSLAVAL-1.5M-2

A3

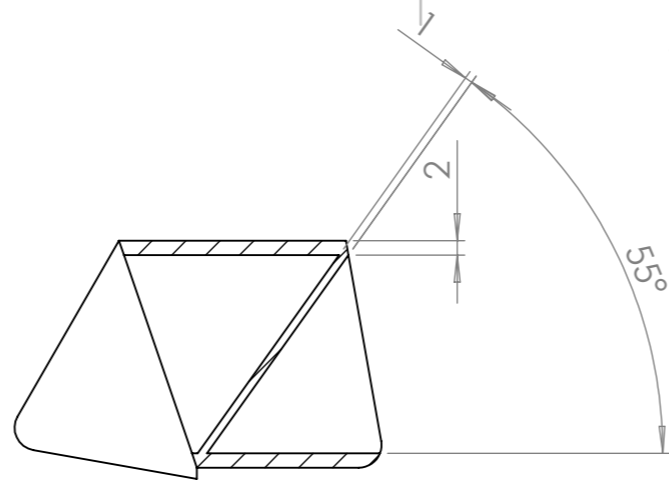
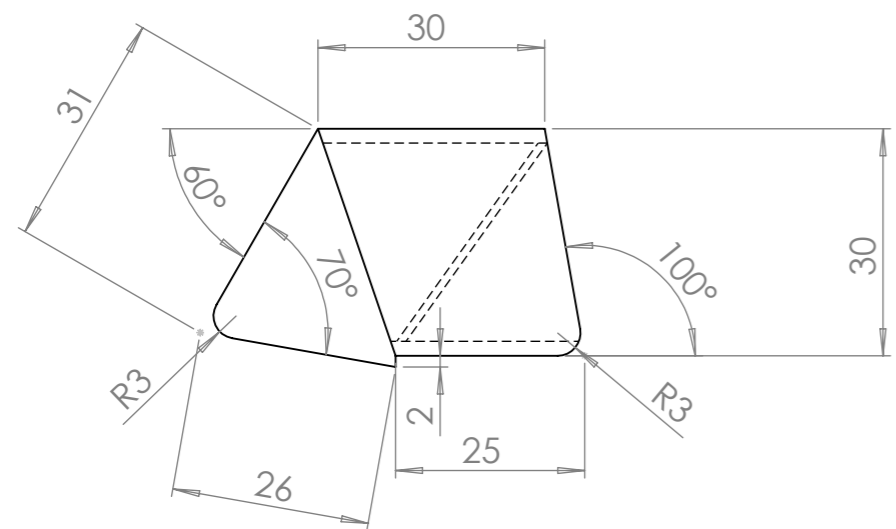
SCALE:DNS SHEET 1 OF 1



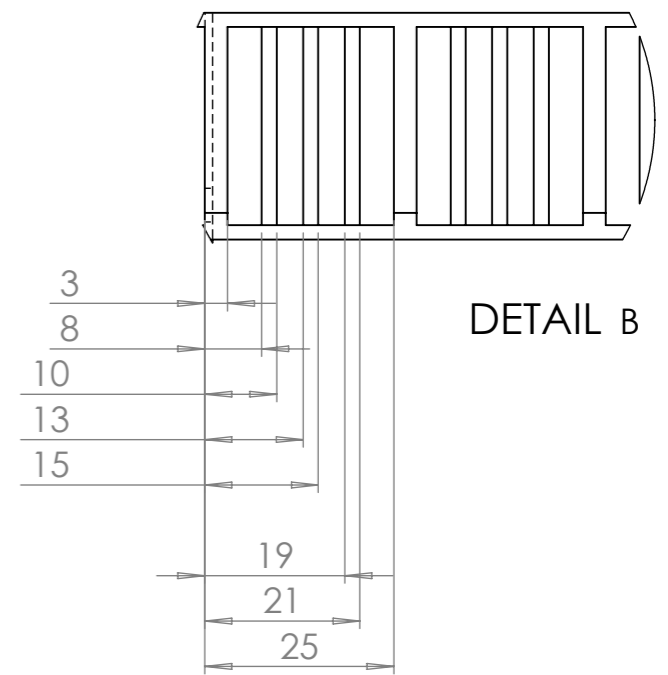
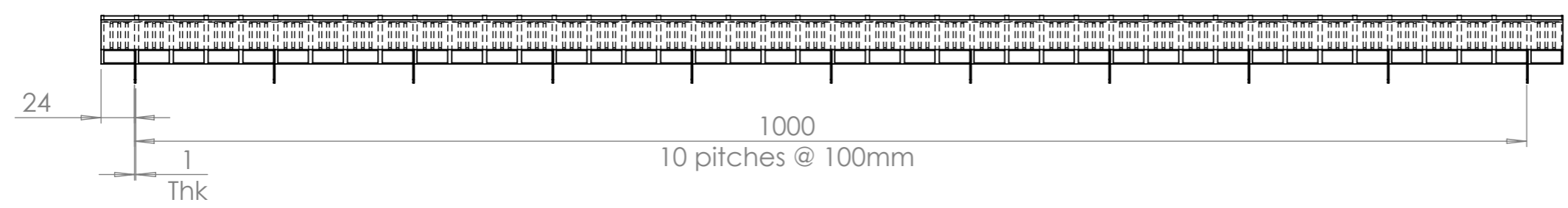
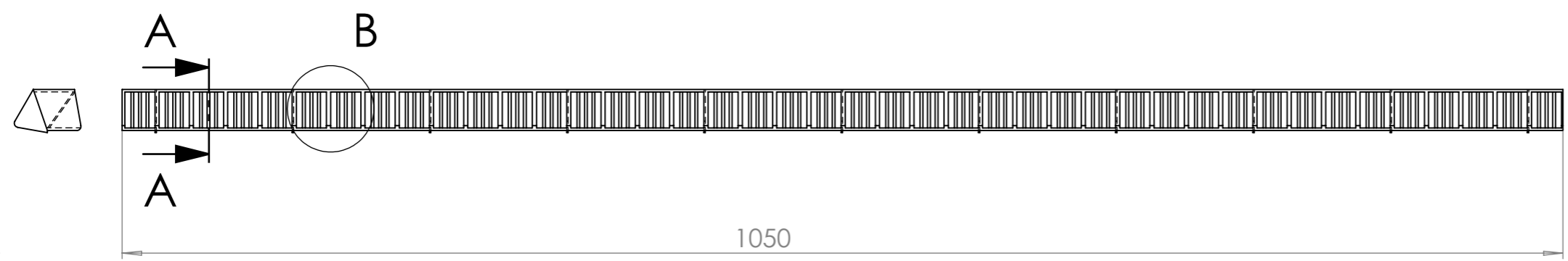
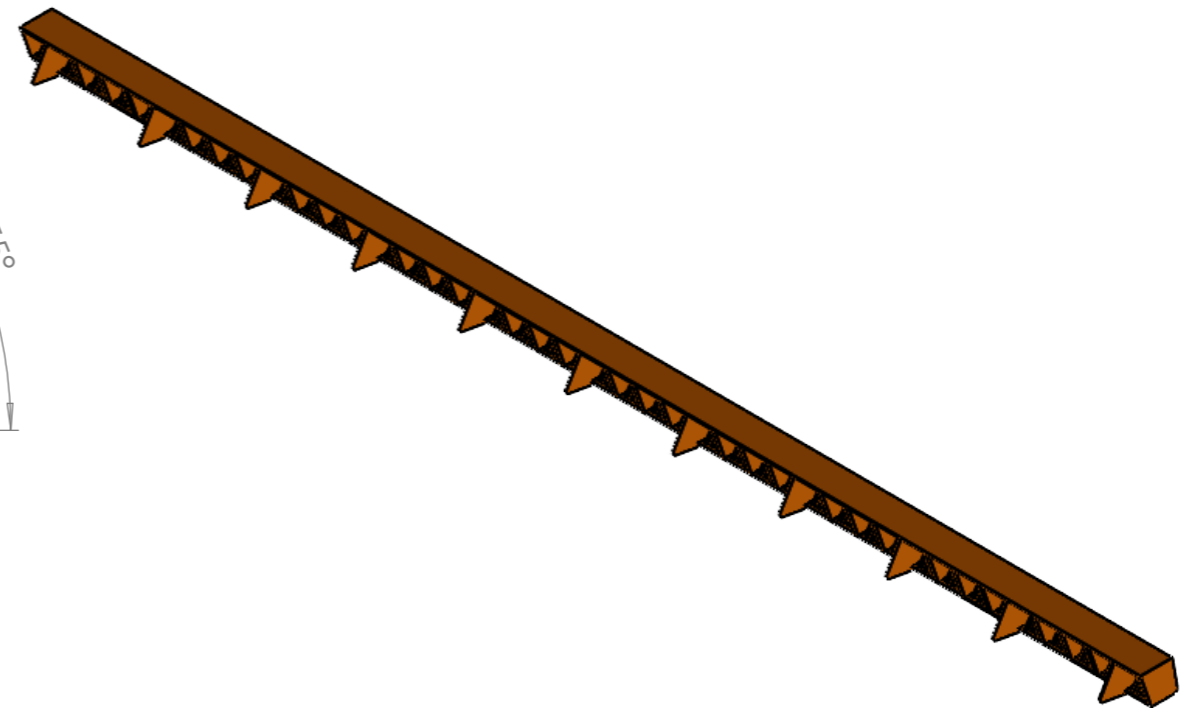
**BRITMET**  
 LIGHTWEIGHT ROOFING  
 Britmet Tileform Ltd  
 Kingfisher House, Unit 17  
 Overthorpe Road, Banbury, OX16 4SX

DO NOT SCALE DRAWING	REVISION
TITLE: Valley-Liteslate part 1	
DWG NO. LITSLAVAL-1.5M - 1	
A3	
SCALE:DNS	SHEET 1 OF 1

	NAME	DATE	MATERIAL:
DRAWN			HIPS Polymer - Self colour
CHK'D			



SECTION A-A



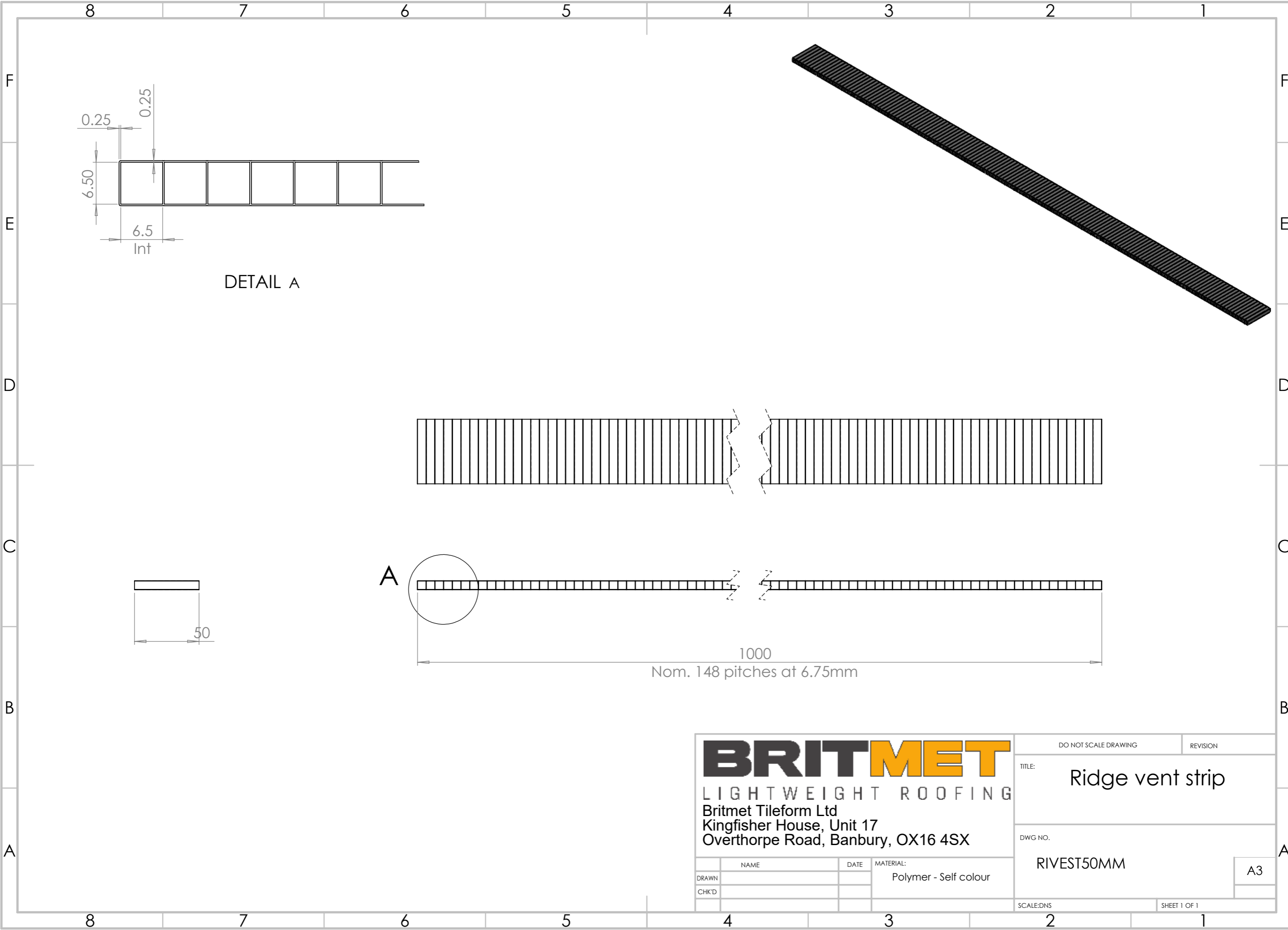
DETAIL B

**BRITMET**  
 LIGHTWEIGHT ROOFING  
 Britmet Tileform Ltd  
 Kingfisher House, Unit 17  
 Overthorpe Road, Banbury, OX16 4SX

	NAME	DATE	MATERIAL:
DRAWN			HIPS Polymer-Self colour
CHK'D			

DO NOT SCALE DRAWING	REVISION
TITLE: Eave vent strip	
DWG NO. EAVTRA	
SCALE:DNS	SHEET 1 OF 1

A3



8 7 6 5 4 3 2 1

F F

E E

D D

C C

B B

A A

8 7 6 5 4 3 2 1

DETAIL A

A

1000  
Nom. 148 pitches at 6.75mm

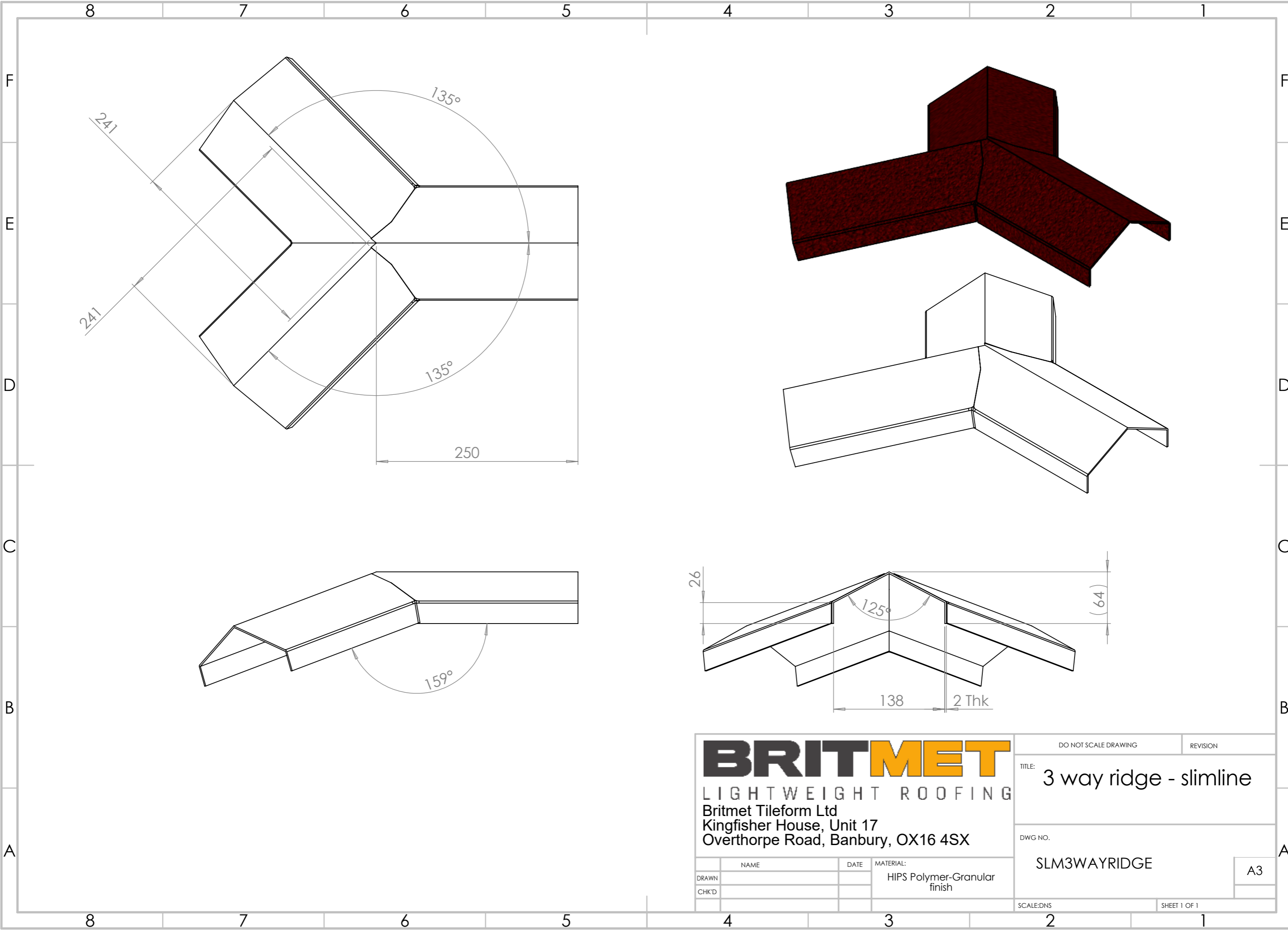
50

**BRITMET**  
LIGHTWEIGHT ROOFING  
Britmet Tileform Ltd  
Kingfisher House, Unit 17  
Overthorpe Road, Banbury, OX16 4SX

	NAME	DATE	MATERIAL:
DRAWN			Polymer - Self colour
CHK'D			

DO NOT SCALE DRAWING	REVISION
TITLE: Ridge vent strip	
DWG NO. RIVEST50MM	
SCALE:DNS	SHEET 1 OF 1

A3

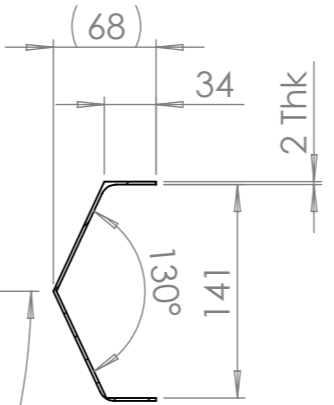
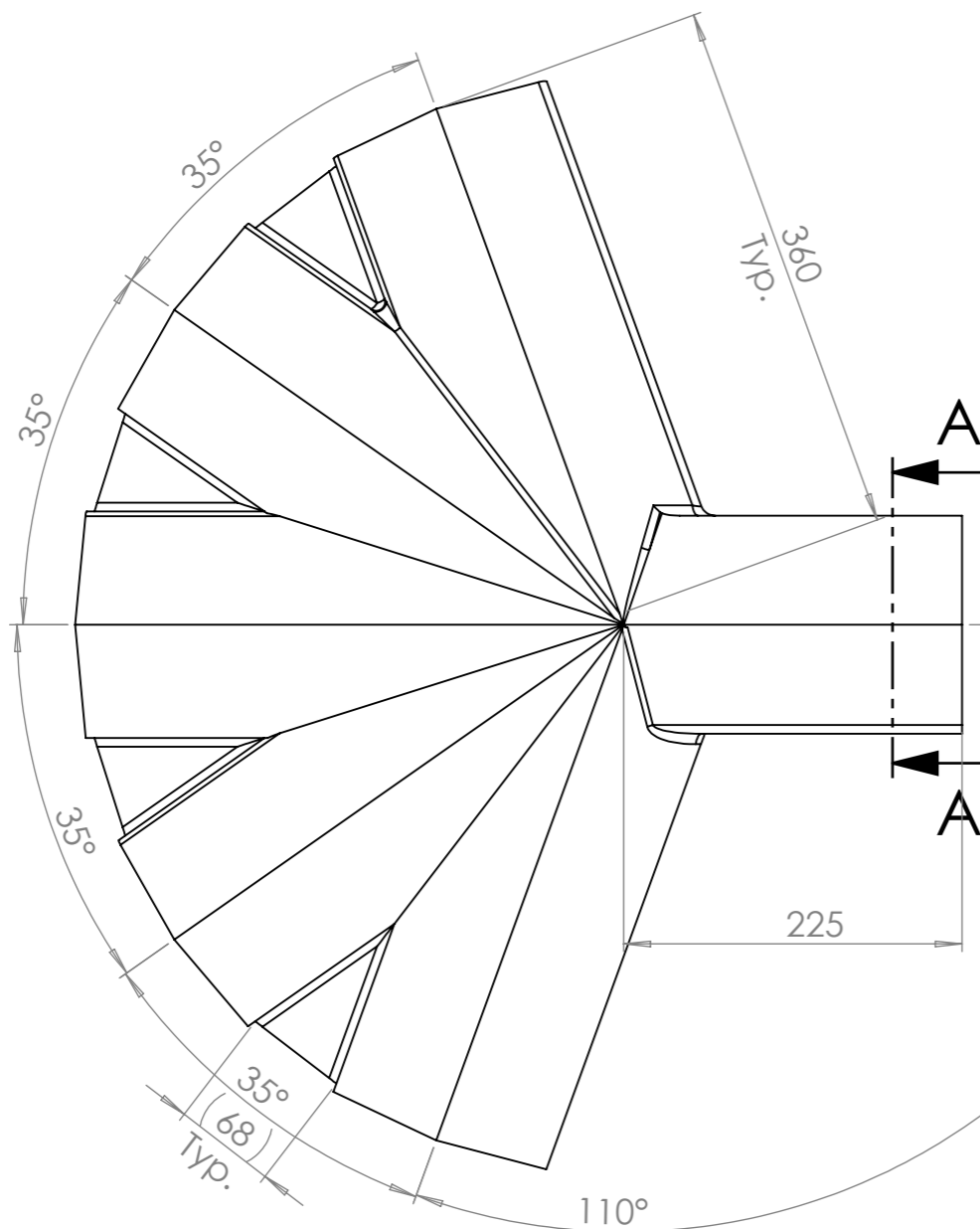


**BRITMET**  
 LIGHTWEIGHT ROOFING  
 Britmet Tileform Ltd  
 Kingfisher House, Unit 17  
 Overthorpe Road, Banbury, OX16 4SX

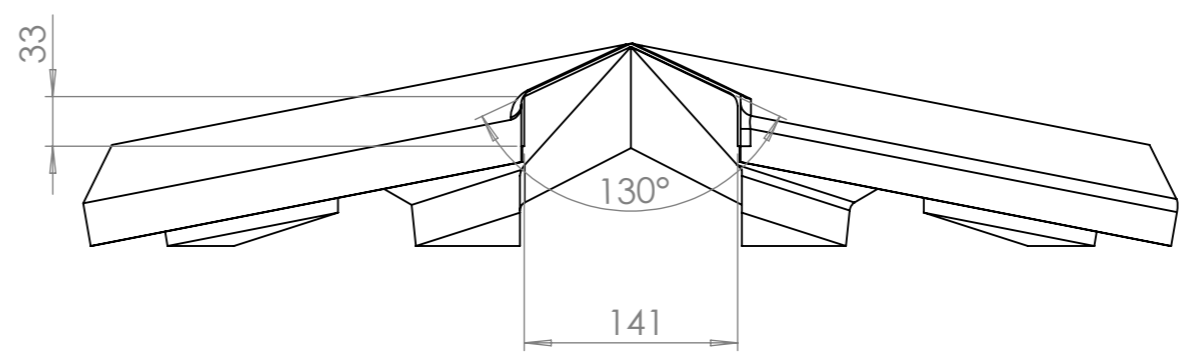
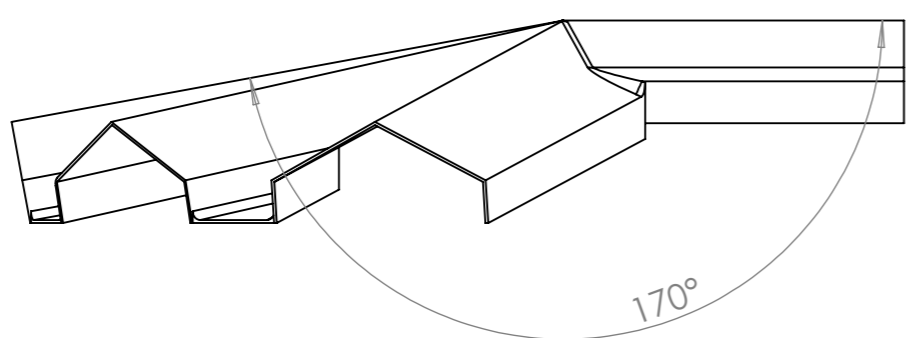
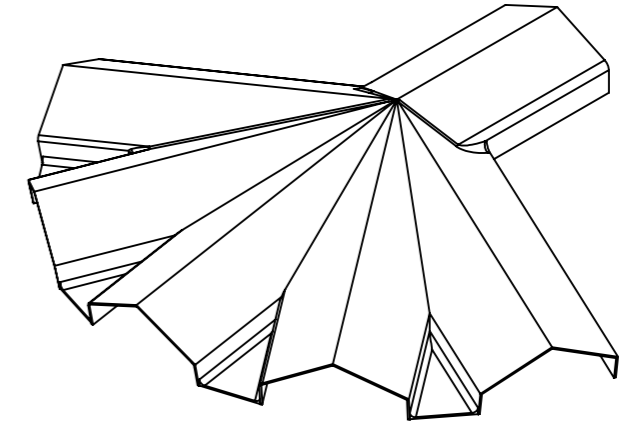
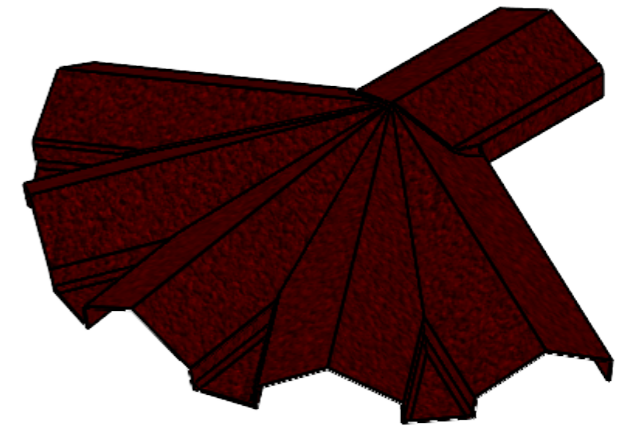
DO NOT SCALE DRAWING	REVISION
TITLE: 3 way ridge - slimline	
DWG NO. SLM3WAYRIDGE	
SCALE: DNS	SHEET 1 OF 1

NAME	DATE	MATERIAL:
DRAWN		HIPS Polymer-Granular finish
CHKD		

A3



SECTION at A-A



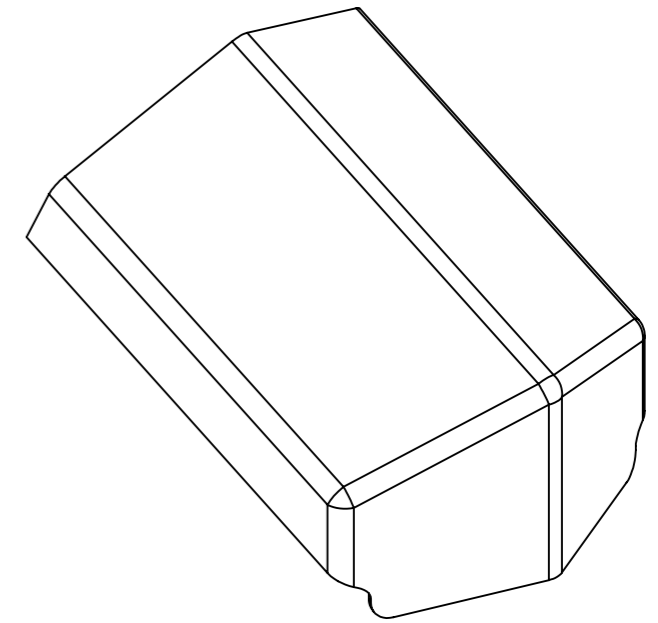
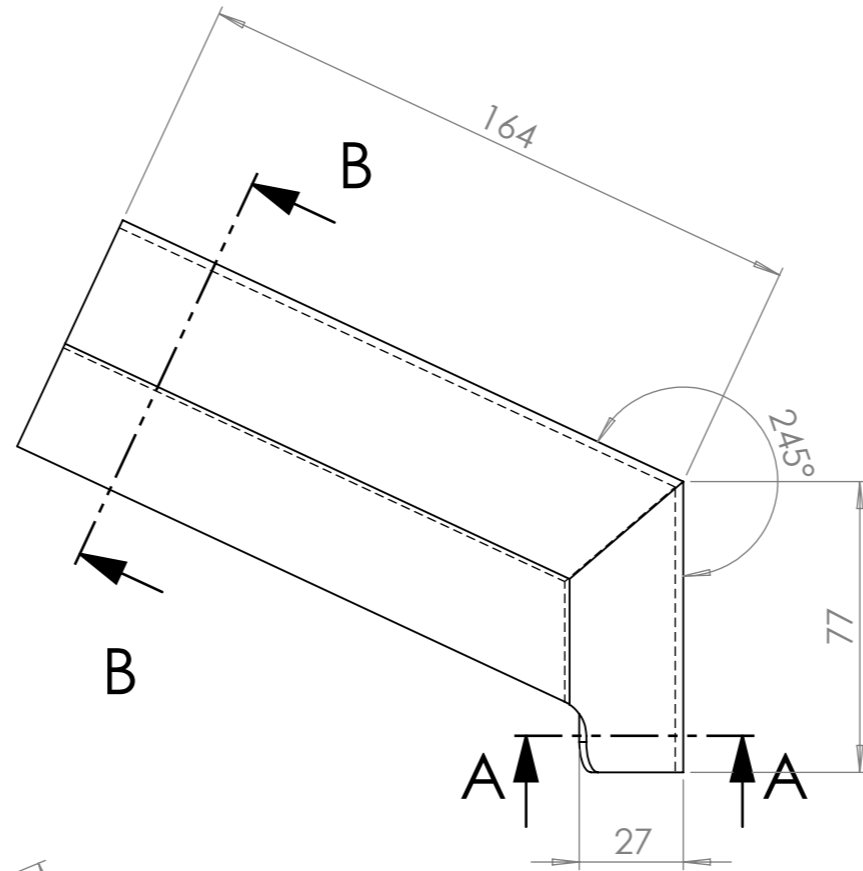
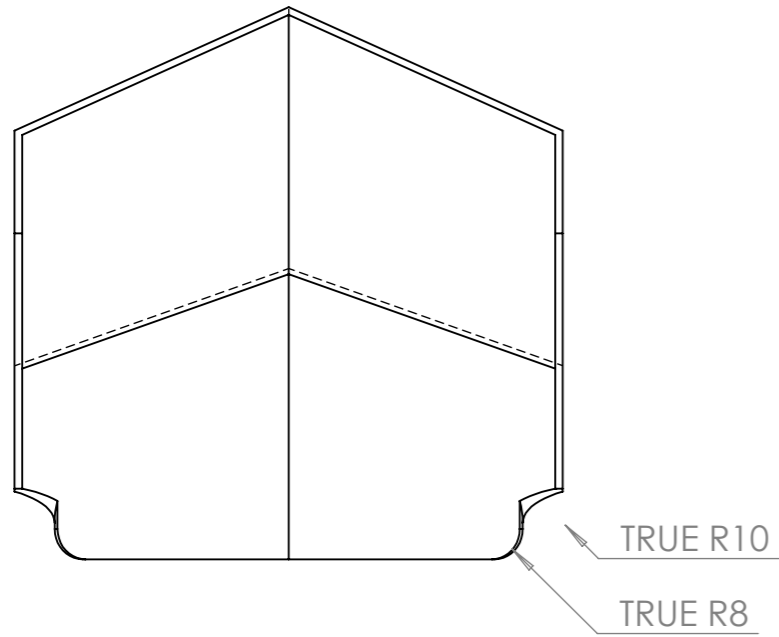
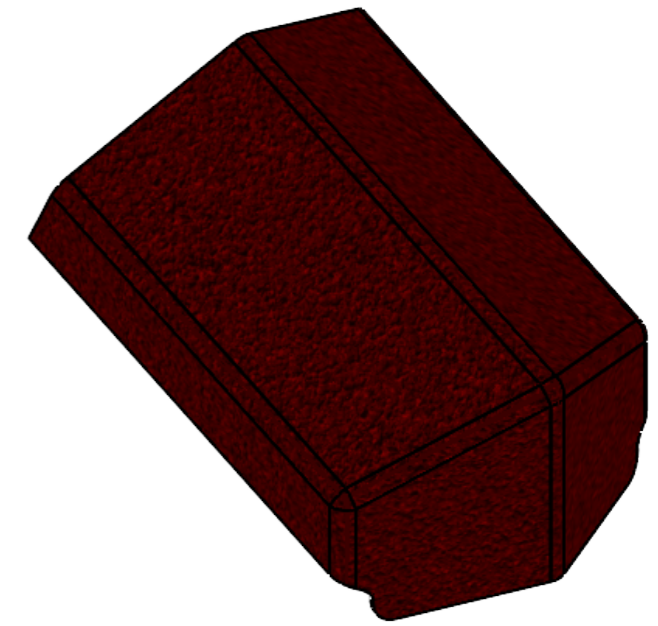
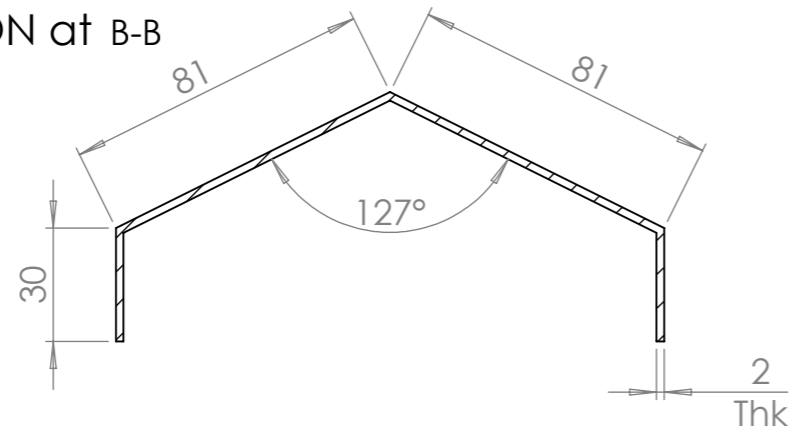
**BRITMET**  
 LIGHTWEIGHT ROOFING  
 Britmet Tileform Ltd  
 Kingfisher House, Unit 17  
 Overthorpe Road, Banbury, OX16 4SX

	NAME	DATE	MATERIAL:
DRAWN			HIPS Polymer-Granular finish
CHKD			

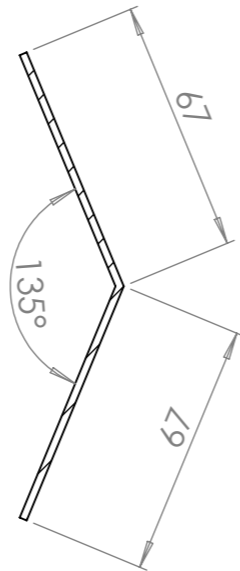
DO NOT SCALE DRAWING	REVISION
TITLE: 5 way ridge - slimline	
DWG NO. SLM5WAYRIDGE	
SCALE:DNS	SHEET 1 OF 1

A3

SECTION at B-B



SECTION at A-A



**BRITMET**  
 LIGHTWEIGHT ROOFING  
 Britmet Tileform Ltd  
 Kingfisher House, Unit 17  
 Overthorpe Road, Banbury, OX16 4SX

NAME	DATE	MATERIAL:
DRAWN		HIPS Polymer-Granular finish
CHKD		

DO NOT SCALE DRAWING	REVISION
TITLE: Plastic hip cap 135-Slimline	
DWG NO. SLMRENDCAP135	
SCALE:DNS	SHEET 1 OF 1

A3